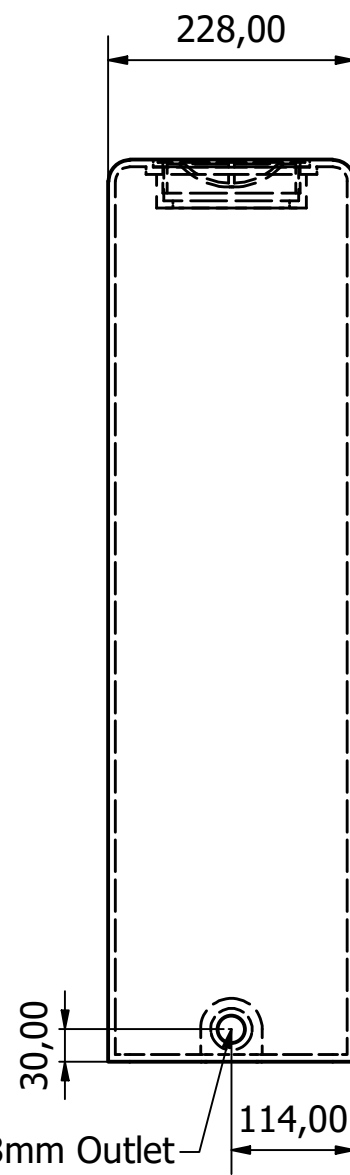
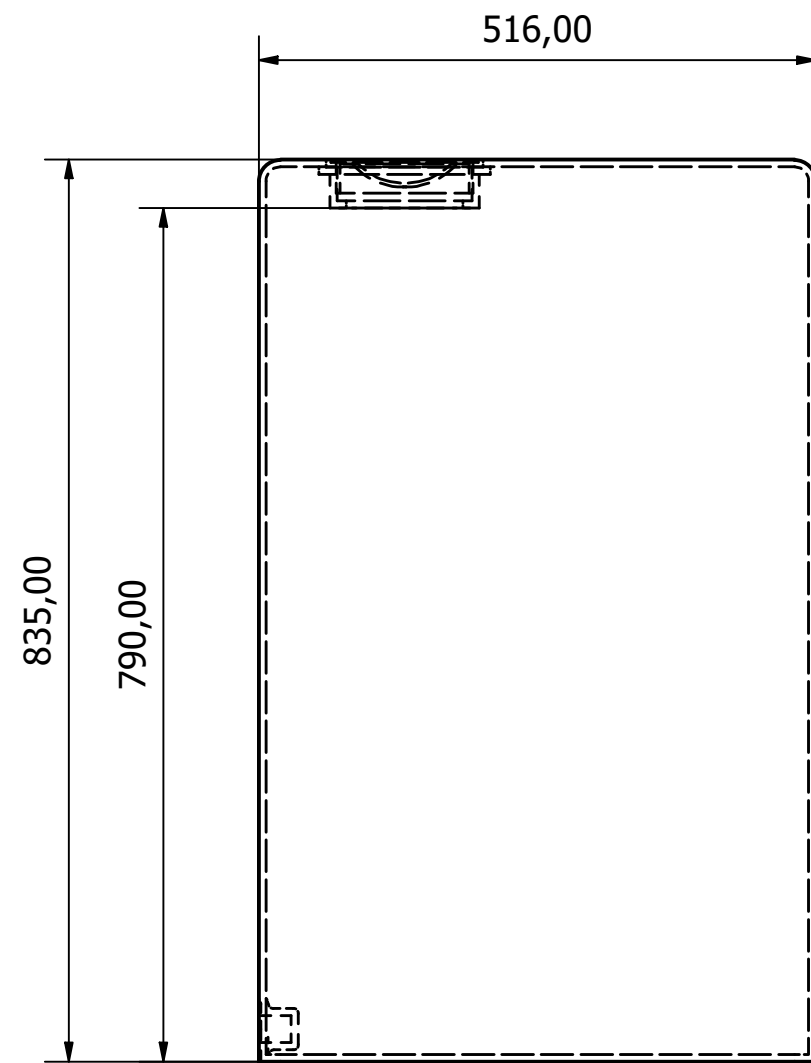


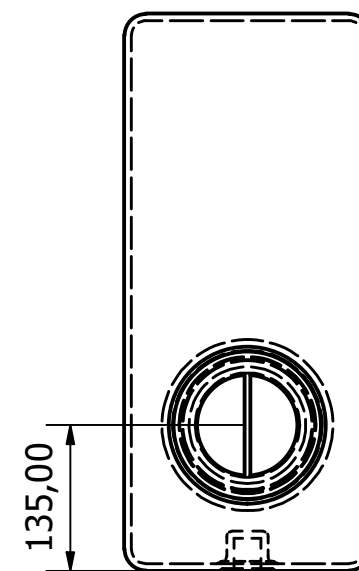
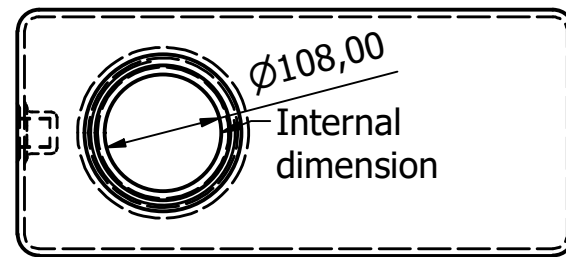
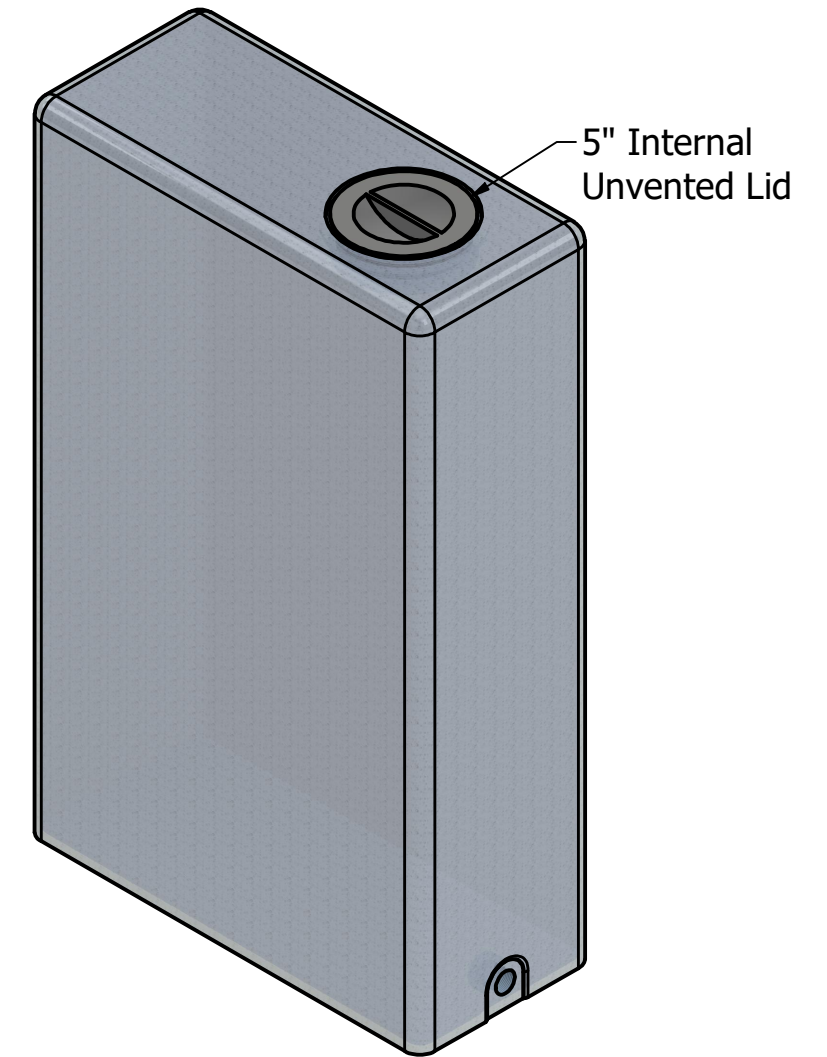
DO NOT SCALE UNLESS STATED - IF IN DOUBT ASK

Nominal wall thickness - 7mm
 Nominal weight - 9kg
 Usable capacity - 84 litres, 88 litres with additional venting

Material	Polyethylene
Qty Req'd	



3/4" BSP x 28mm Outlet



wydale
 Wydale Plastics Ltd
 Cathole Bridge Rd,
 Crewkerne,
 Somerset,
 TA18 8RF
 Tel: 01460 73212
 Fax: 01460 77348

THIS DRAWING AND THE INFORMATION THEREON IS THE SOLE PROPERTY OF WYDALE PLASTICS LTD AND SHALL NOT BE COPIED OR REPRODUCED WITHOUT THE CONSENT OF WYDALE PLASTICS LTD. DIMENSIONS ARE ALL IN MM UNLESS OTHERWISE STATED.
 ALL TOLERANCES +/- 1MM UNLESS STATED.

CUSTOMER:		Wydale Plastics Ltd	
PROJECT:		88 Litre Tower Tank 5" Lid	
DRAWN DATE:	DESIGNED BY:	CHECKED BY:	
30/11/2022	Rory		
SHEET 1 OF 1	REV A	DRAWING NO:	

REV	ZONE	DESCRIPTION	DATE