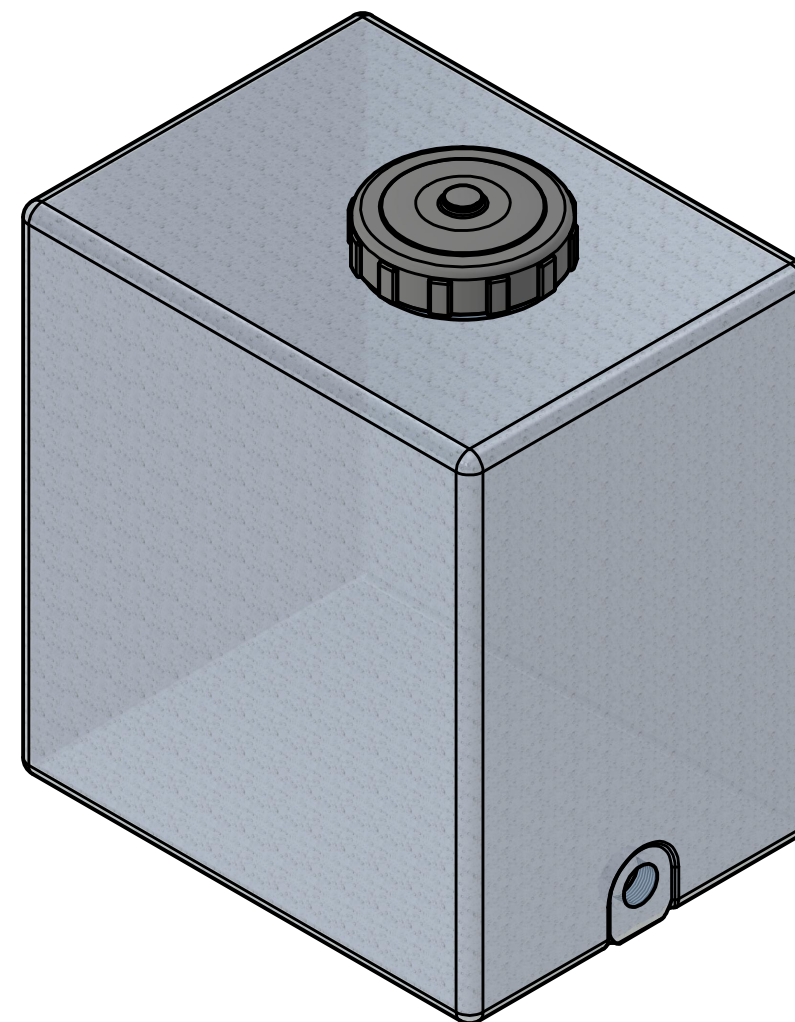
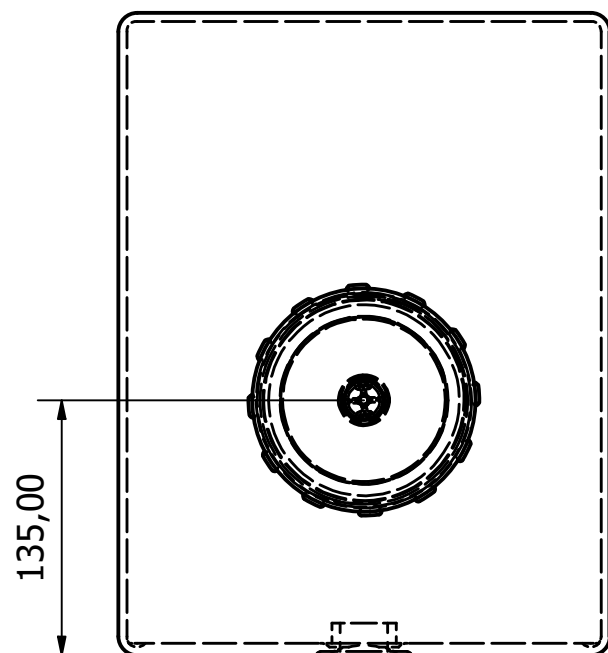
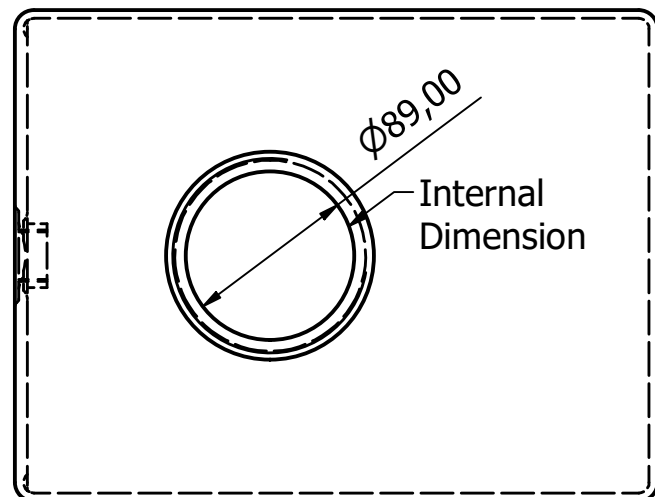
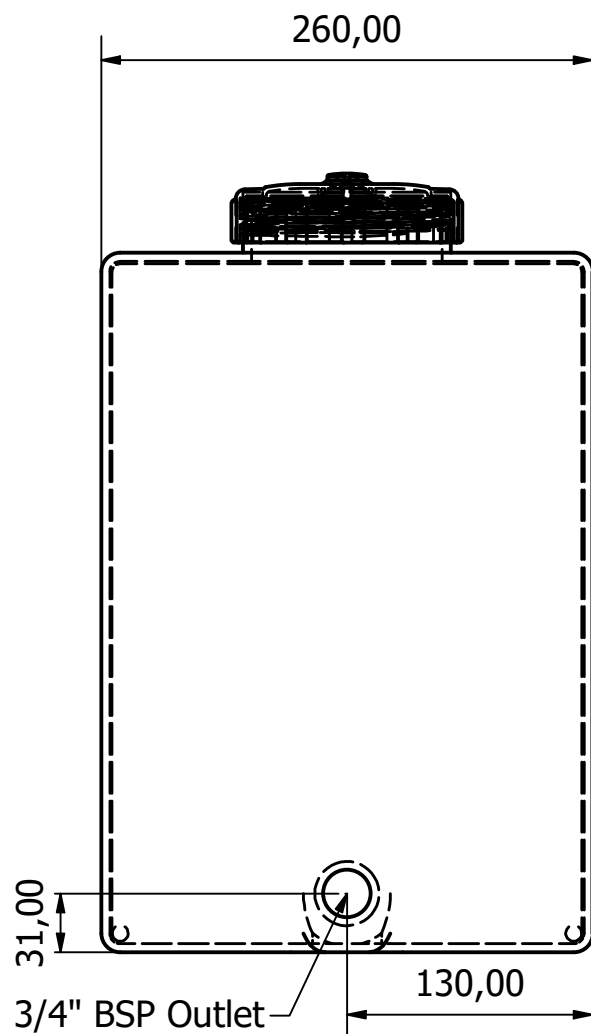
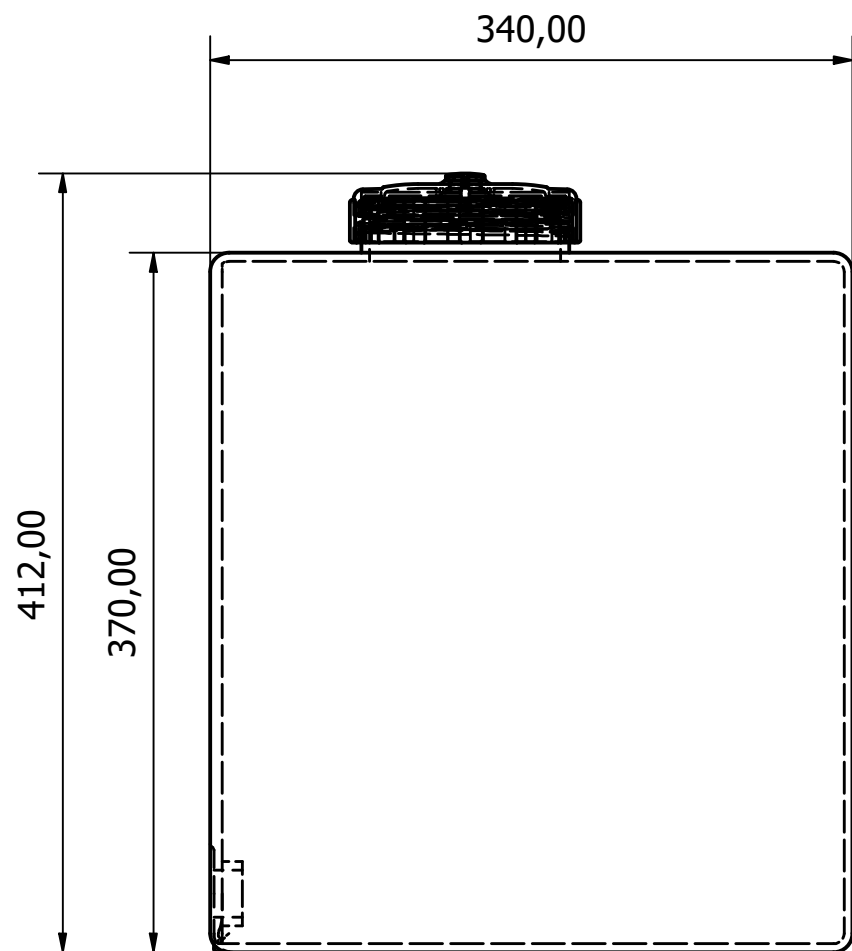


DO NOT SCALE UNLESS STATED - IF IN DOUBT ASK

Nominal wall thickness - 4.5mm
Nominal weight - 3kg

Material	Polyethylene
Qty Req'd	



wydale
Wydale Plastics Ltd
Cathole Bridge Rd,
Crewkerne,
Somerset,
TA18 8RF
Tel: 01460 73212
Fax: 01460 77348

THIS DRAWING AND THE INFORMATION THEREON IS THE SOLE PROPERTY OF WYDALE PLASTICS LTD AND SHALL NOT BE COPIED OR REPRODUCED WITHOUT THE CONSENT OF WYDALE PLASTICS LTD. DIMENSIONS ARE ALL IN MM UNLESS OTHERWISE STATED.
ALL TOLERANCES +/- 1MM UNLESS STATED.

CUSTOMER: Wydale Plastics Ltd

PROJECT: 25 Litre Tank MK2 4" Lid

DRAWN DATE:
08/11/2022

DESIGNED BY:
Rory

CHECKED BY:

SHEET 1 OF 1

REV
A

DRAWING NO:

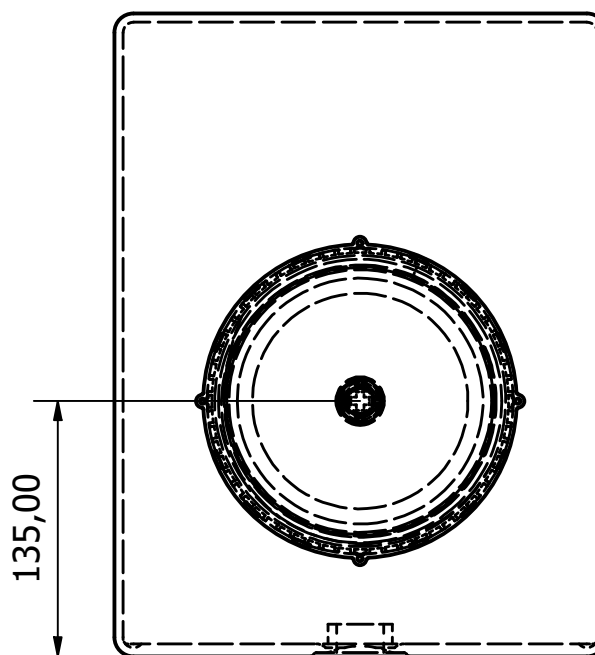
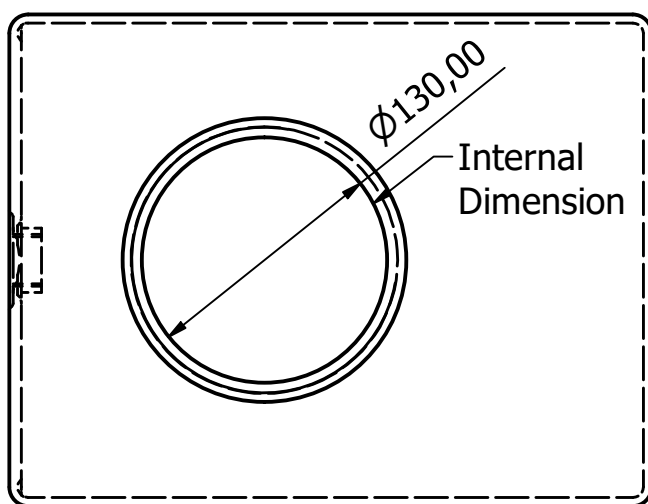
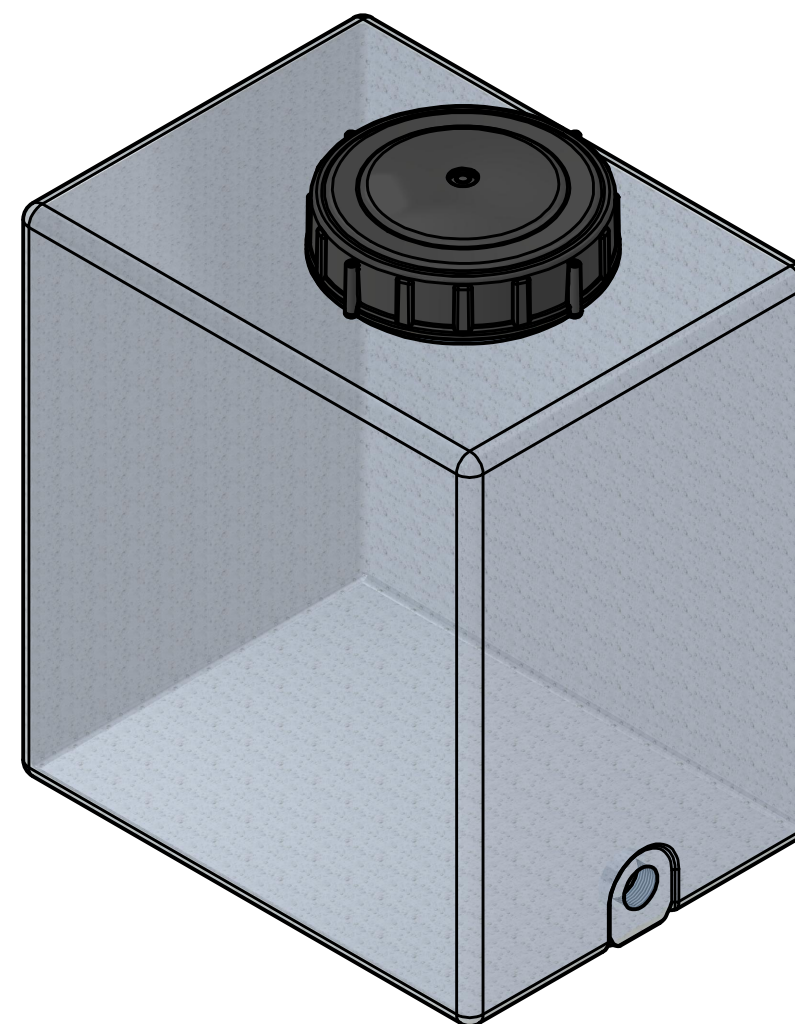
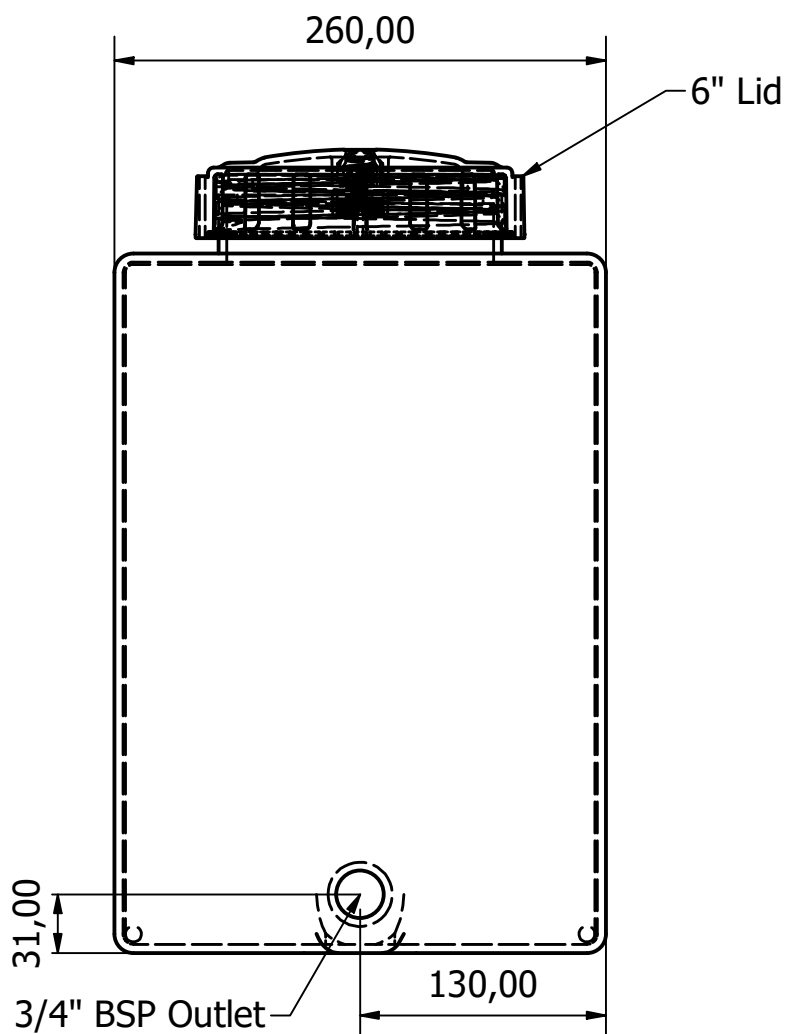
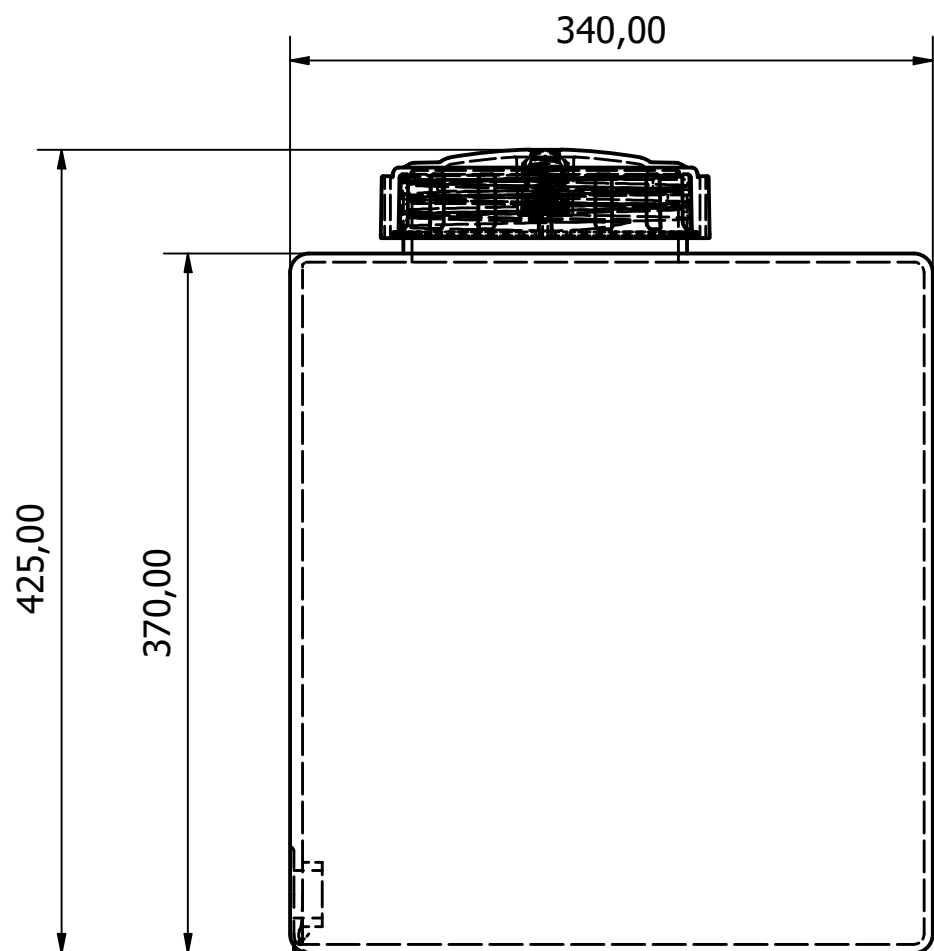


REV	ZONE	DESCRIPTION	DATE

DO NOT SCALE UNLESS STATED - IF IN DOUBT ASK

Nominal wall thickness - 4.5mm
Nominal weight - 3kg

Material	Polyethylene
Qty Req'd	

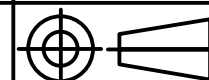


wydale
 Wydale Plastics Ltd
 Cathole Bridge Rd,
 Crewkerne,
 Somerset,
 TA18 8RF
 Tel: 01460 73212
 Fax: 01460 77348

CUSTOMER: Wydale Plastics Ltd	
PROJECT: 25 Litre Tank MK2 6" lid	
DRAWN DATE: 07/11/2022	DESIGNED BY: Rory
CHECKED BY:	
SHEET 1 OF 1	REV A
DRAWING NO:	

REV	ZONE	DESCRIPTION	DATE

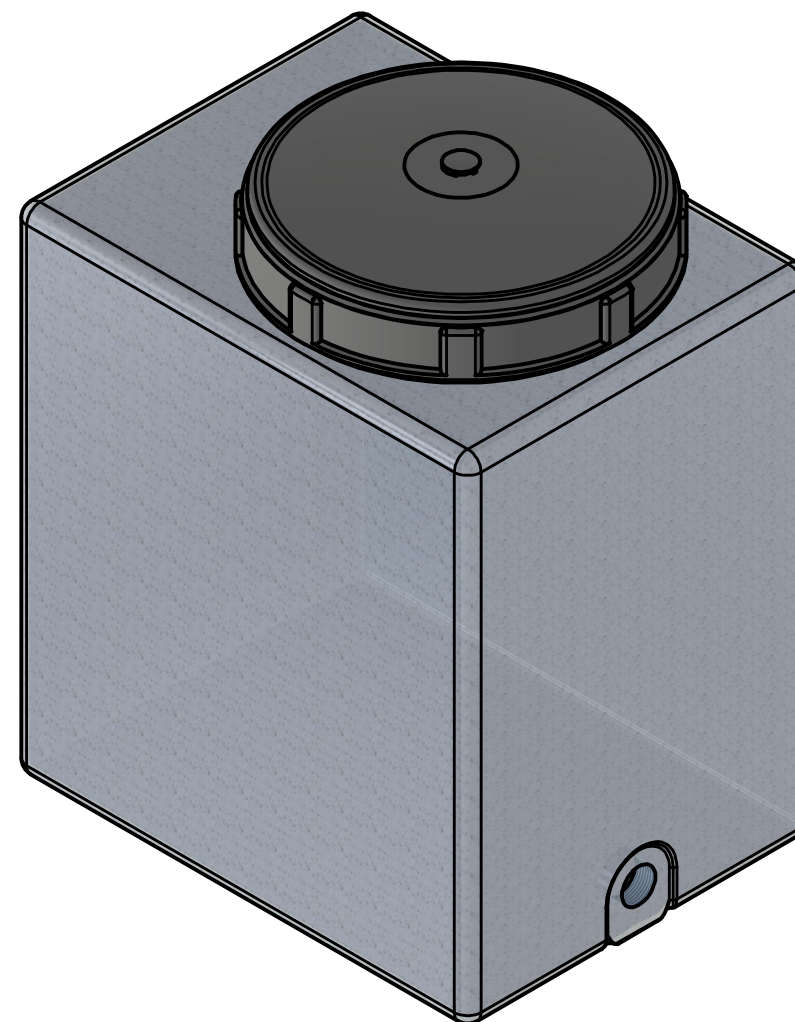
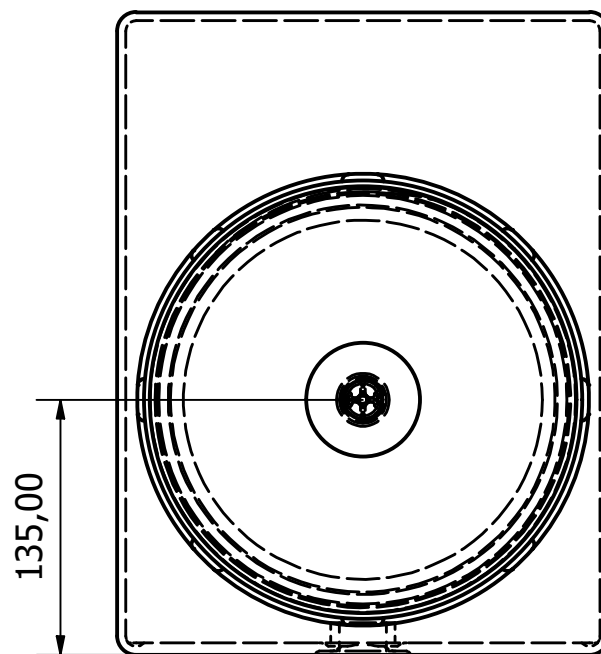
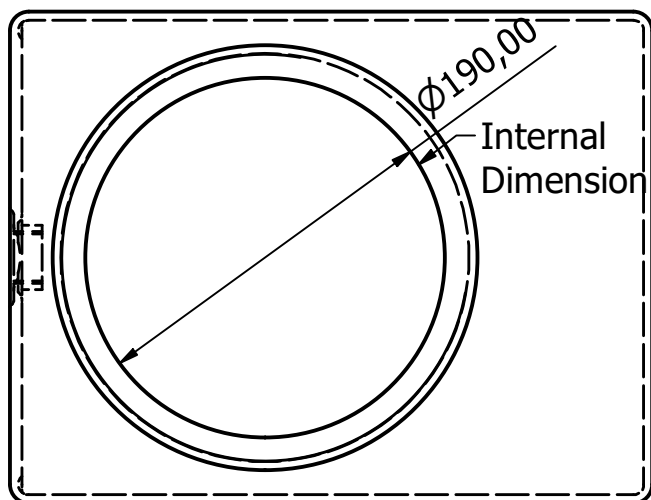
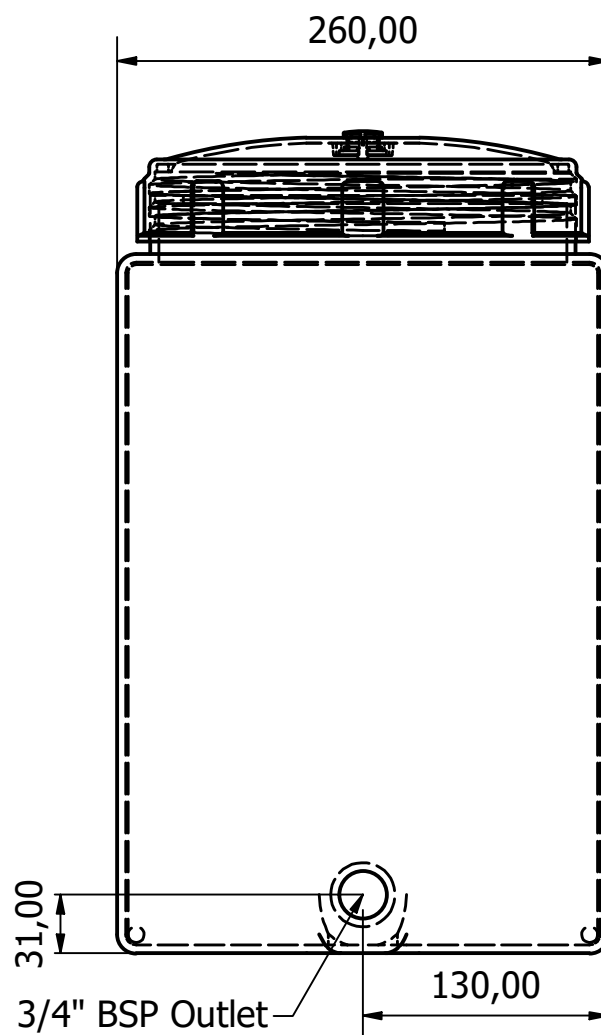
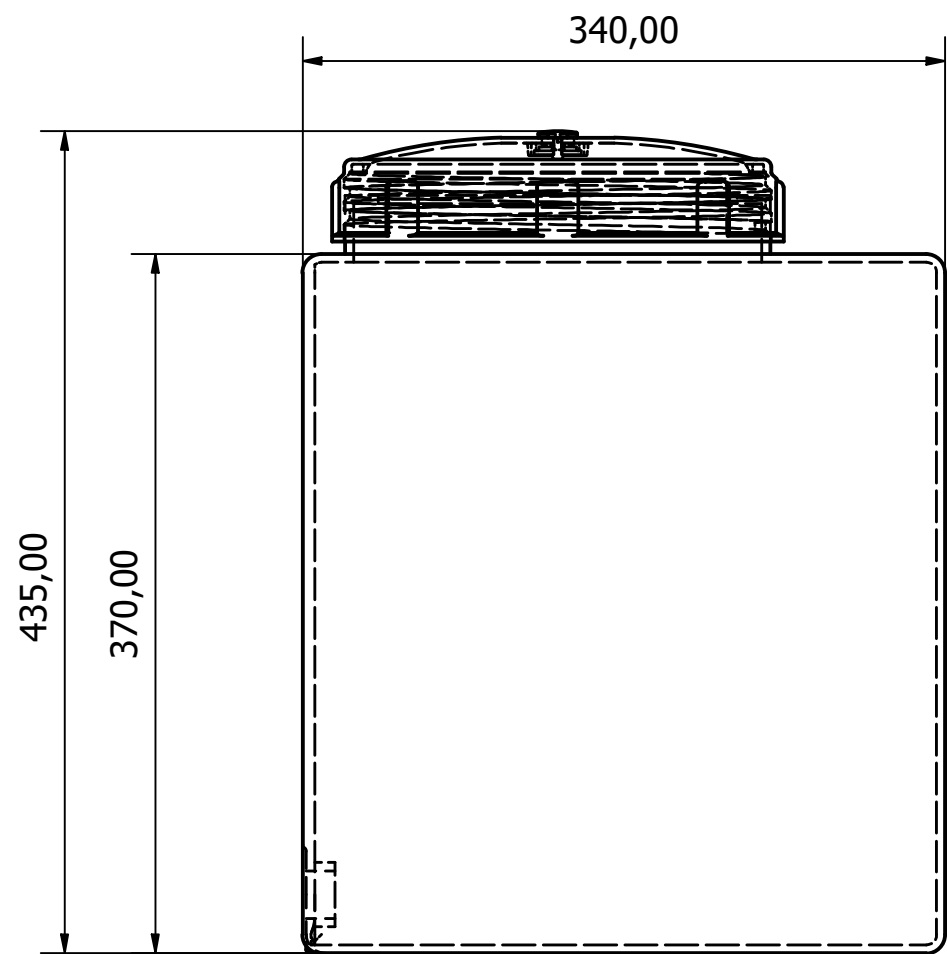
THIS DRAWING AND THE INFORMATION THEREON IS THE SOLE PROPERTY OF WYDALE PLASTICS LTD AND SHALL NOT BE COPIED OR REPRODUCED WITHOUT THE CONSENT OF WYDALE PLASTICS LTD. DIMENSIONS ARE ALL IN MM UNLESS OTHERWISE STATED. ALL TOLERANCES +/- 1MM UNLESS STATED.



DO NOT SCALE UNLESS STATED - IF IN DOUBT ASK

Nominal wall thickness - 4.5mm
Nominal weight - 3kg

Material	Polyethylene
Qty Req'd	



wydale
Wydale Plastics Ltd
Cathole Bridge Rd,
Crewkerne,
Somerset,
TA18 8RF
Tel: 01460 73212
Fax: 01460 77348

THIS DRAWING AND THE INFORMATION THEREON IS THE SOLE PROPERTY OF WYDALE PLASTICS LTD AND SHALL NOT BE COPIED OR REPRODUCED WITHOUT THE CONSENT OF WYDALE PLASTICS LTD. DIMENSIONS ARE ALL IN MM UNLESS OTHERWISE STATED.
ALL TOLERANCES +/- 1MM UNLESS STATED.

CUSTOMER: Wydale Plastics Ltd

PROJECT: 25 Litre Tank MK2 8" Lid

DRAWN DATE:
07/11/2022

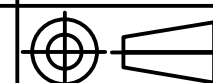
DESIGNED BY:
Rory

CHECKED BY:

SHEET 1 OF 1

REV
A

DRAWING NO:



REV	ZONE	DESCRIPTION	DATE