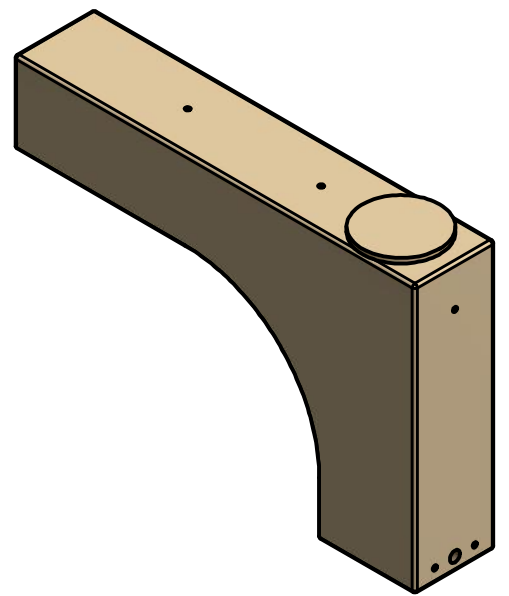
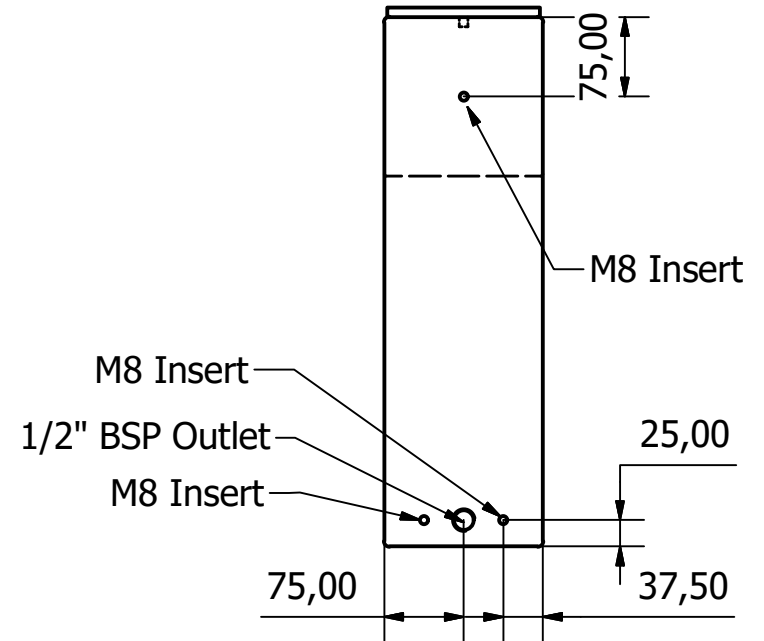
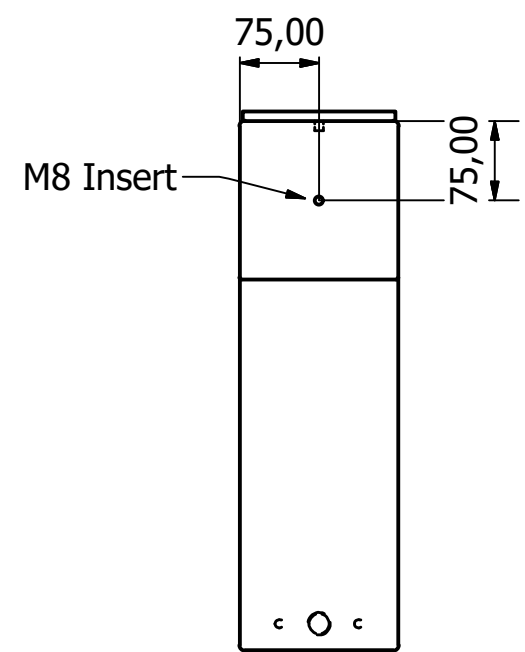
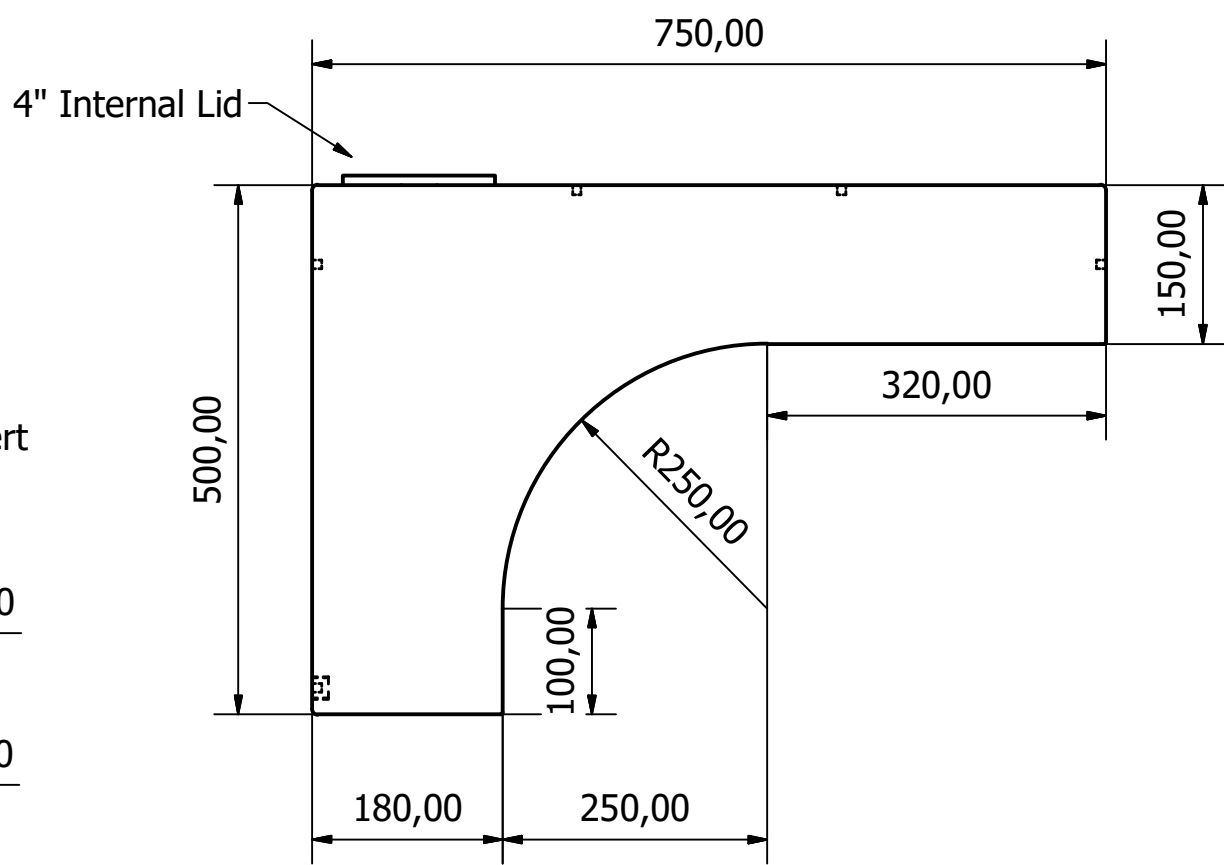
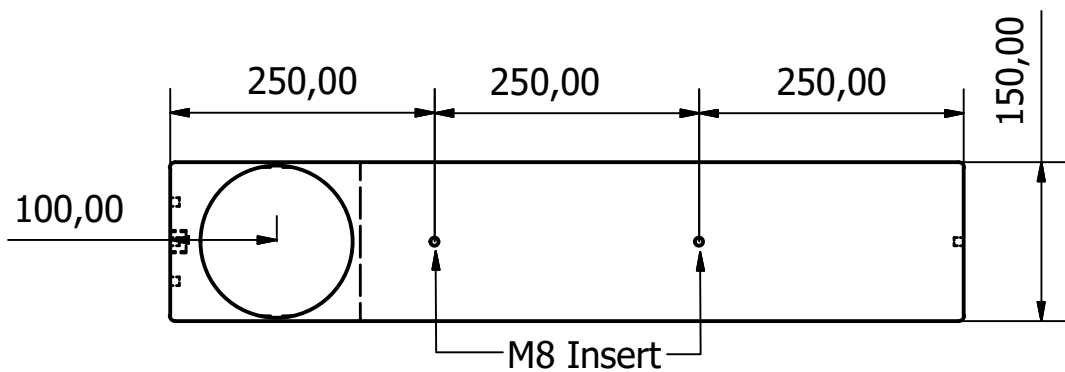


DO NOT SCALE UNLESS STATED - IF IN DOUBT ASK

Material	Polyethylene
Qty Req'd	



REV	ZONE	DESCRIPTION	DATE

wydale
 Wydale Plastics Ltd
 Cathole Bridge Rd,
 Crewkerne,
 Somerset,
 TA18 8RF
 Tel: 01460 73212
 Fax: 01460 77348

THIS DRAWING AND THE INFORMATION THEREON IS THE SOLE PROPERTY OF WYDALE PLASTICS LTD AND SHALL NOT BE COPIED OR REPRODUCED WITHOUT THE CONSENT OF WYDALE PLASTICS LTD. DIMENSIONS ARE ALL IN MM UNLESS OTHERWISE STATED.
 ALL TOLERANCES +/- 1MM UNLESS STATED.

CUSTOMER: Wydale		PROJECT: 24 Litre Slimline Wheel Arch Tank	
DRAWN DATE: 07/11/2018	DESIGNED BY: rory	CHECKED BY:	
SHEET 1 OF 1	REV A	DRAWING NO:	