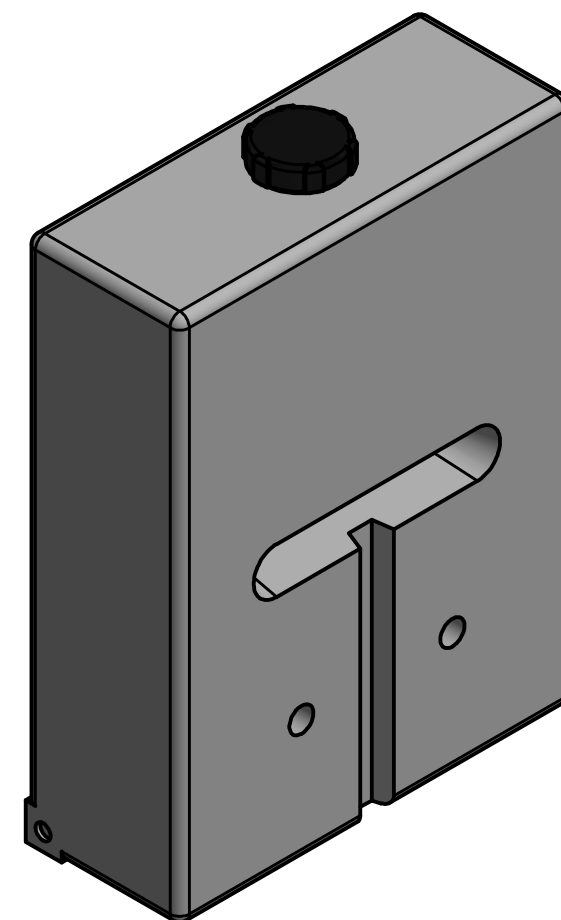
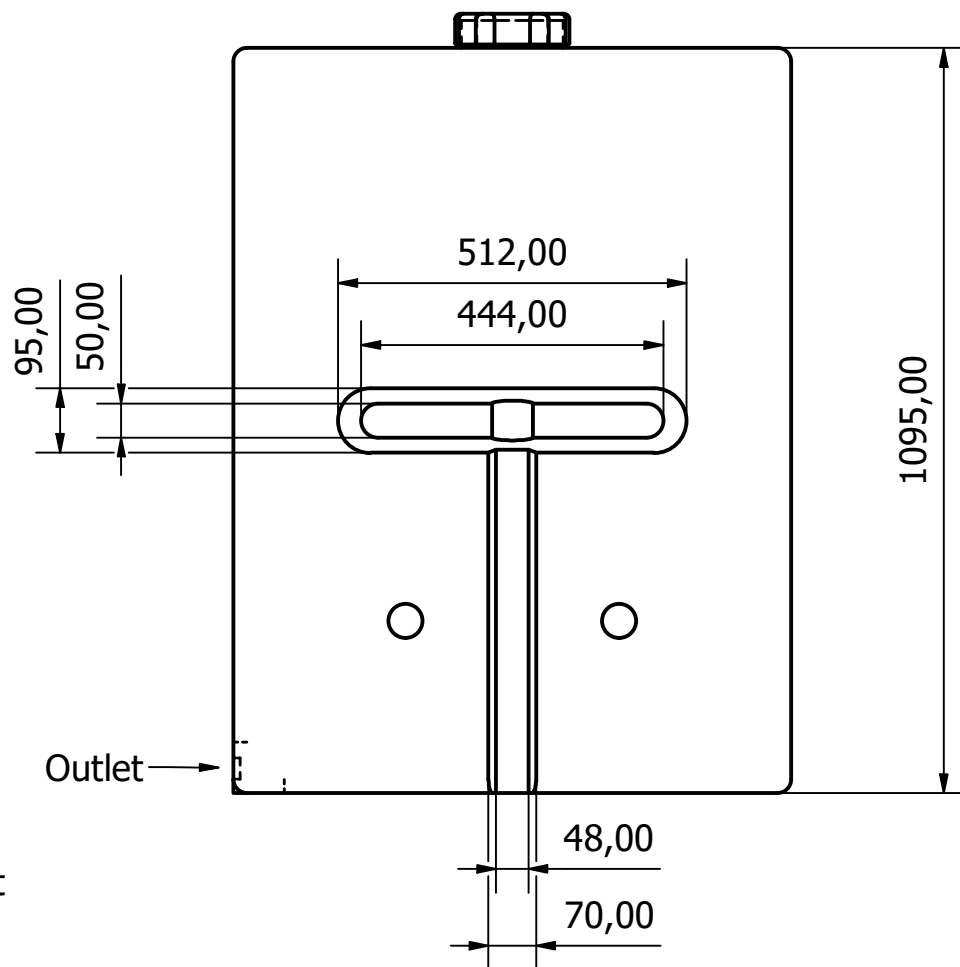
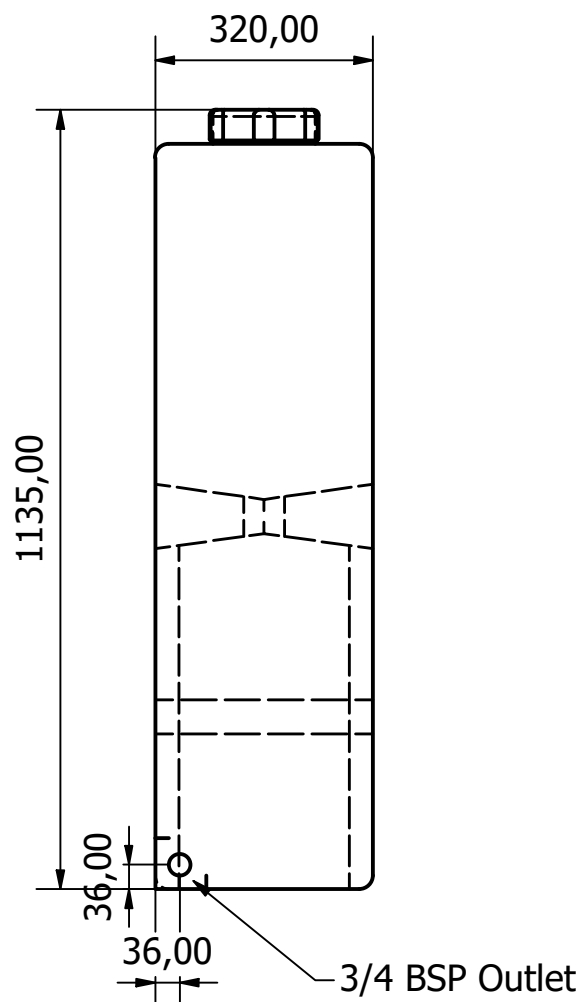
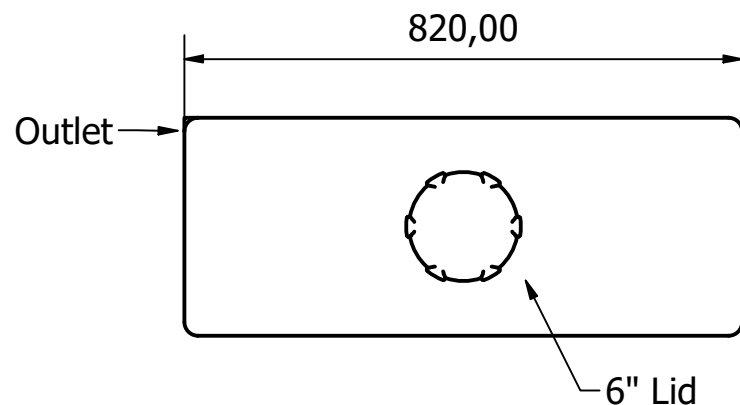


DO NOT SCALE UNLESS STATED - IF IN DOUBT ASK



Wydale Plastics Ltd
 Cathole Bridge Rd,
 Crewkerne,
 Somerset,
 TA18 8RF
 Tel: 01460 73212
 Fax: 01460 77348

CUSTOMER: Wydale Plastics Ltd

PROJECT: 250 Tower

DRAWN DATE:
04/04/2022

DESIGNED BY:
joshv

CHECKED BY:

SHEET 1 OF 1

REV
A

DRAWING NO:



REV	ZONE	DESCRIPTION	DATE

THIS DRAWING AND THE INFORMATION THEREON IS THE SOLE PROPERTY OF WYDALE PLASTICS LTD AND SHALL NOT BE COPIED OR REPRODUCED WITHOUT THE CONSENT OF WYDALE PLASTICS LTD. DIMENSIONS ARE ALL IN MM UNLESS OTHERWISE STATED. WHILST EVERY EFFORT IS MADE TO ENSURE ACCURACY, ALL DIMENSIONS AND VOLUMES QUOTED ARE SUBJECT TO A +/- 2% VARIATION DUE TO THE MANUFACTURING PROCESS. PLEASE CALL FOR MORE INFORMATION IF REQUIRED.