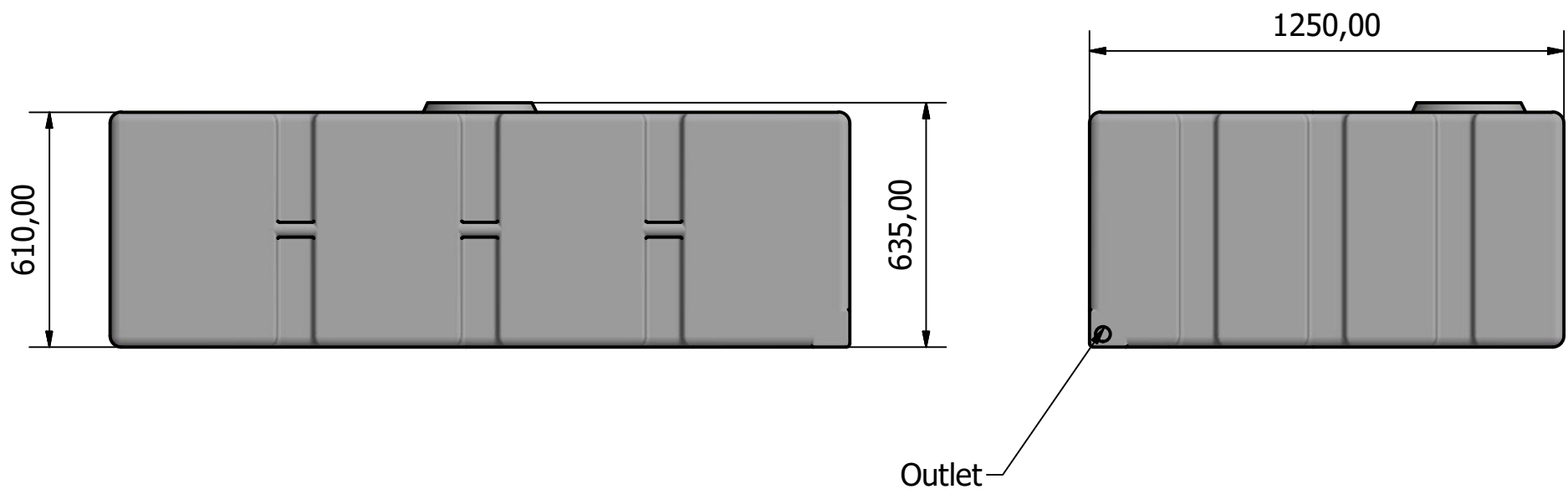
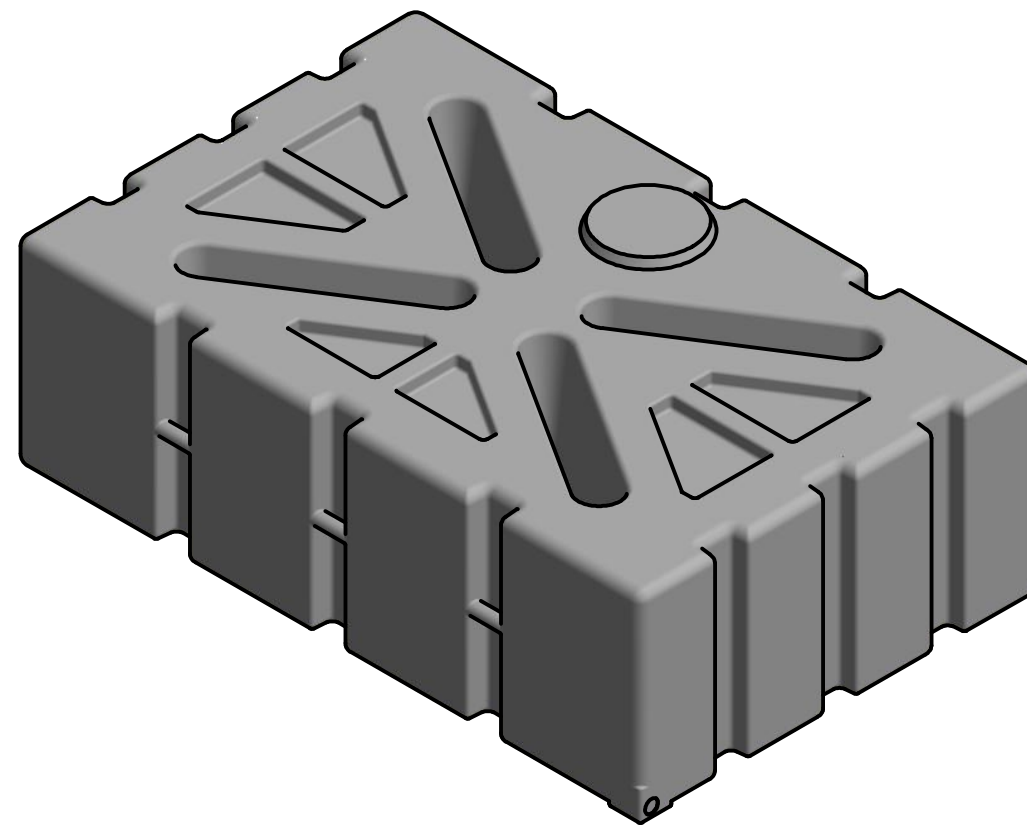
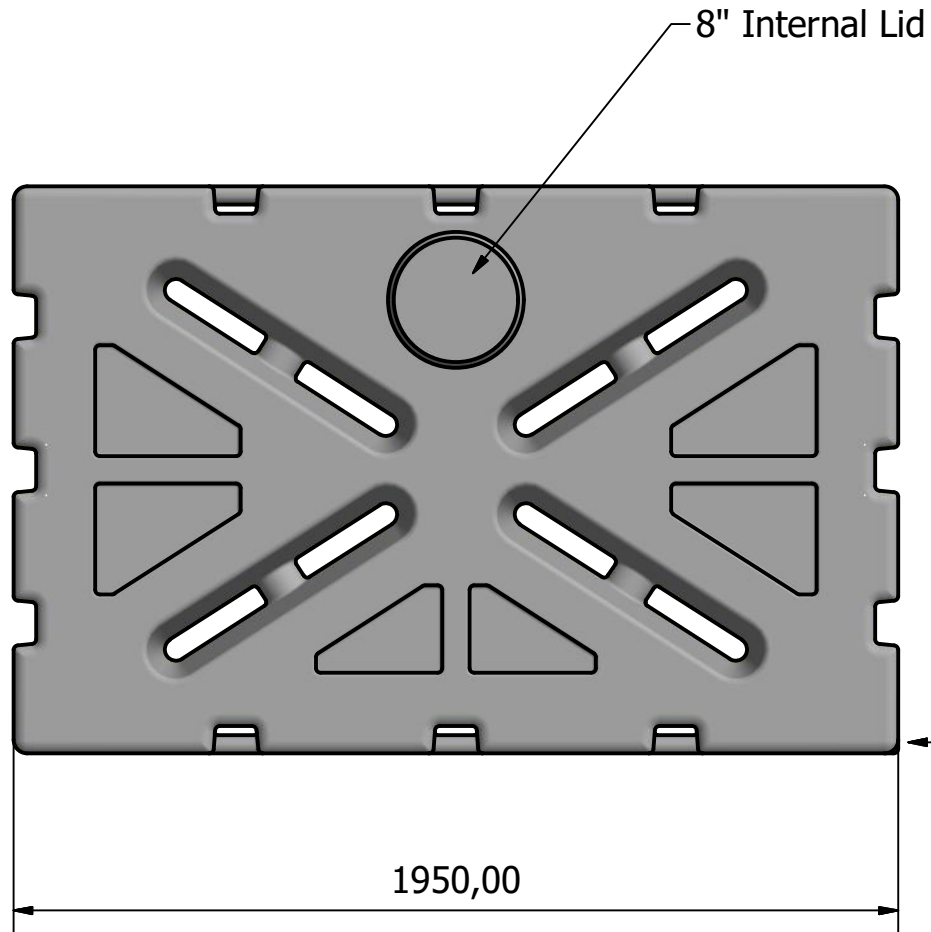


DO NOT SCALE UNLESS STATED - IF IN DOUBT ASK

Material	
Qty Req'd	



WYDALE PLASTICS LTD Cathole Bridge Rd, Crewkerne, Somerset, TA18 8RF Tel: 01460 73212 Fax: 01460 77348 THIS DRAWING AND THE INFORMATION THEREON IS THE SOLE PROPERTY OF WYDALE PLASTICS LTD AND SHALL NOT BE COPIED OR REPRODUCED WITHOUT THE CONSENT OF WYDALE PLASTICS LTD. DIMENSIONS ARE ALL IN MM UNLESS OTHERWISE STATED. ALL TOLERANCES +/- 1MM UNLESS STATED.	CUSTOMER: Wydale Plastics		
	PROJECT: 1250 Litre Flat Tank		
	DRAWN DATE: 13/01/2014	DESIGNED BY: joshv	CHECKED BY:
	SHEET 1 OF 1	REV A	DRAWING NO:

REV	ZONE	DESCRIPTION	DATE

