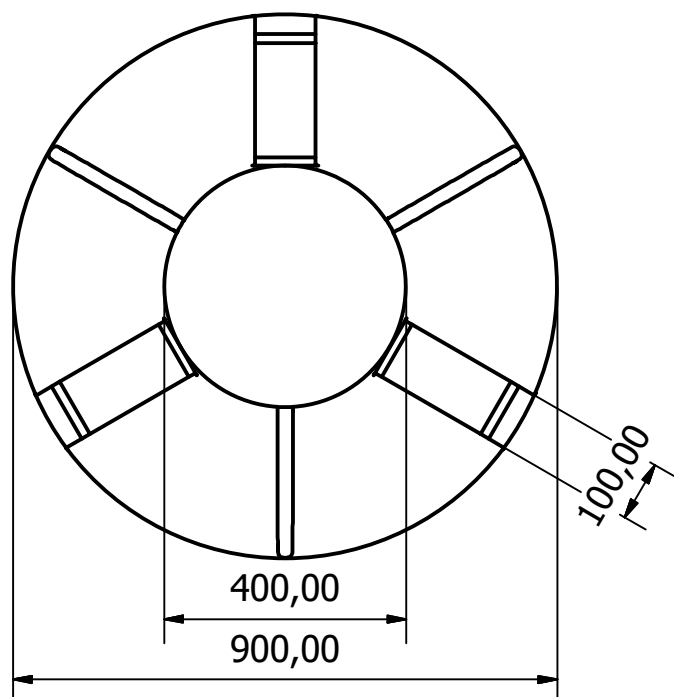
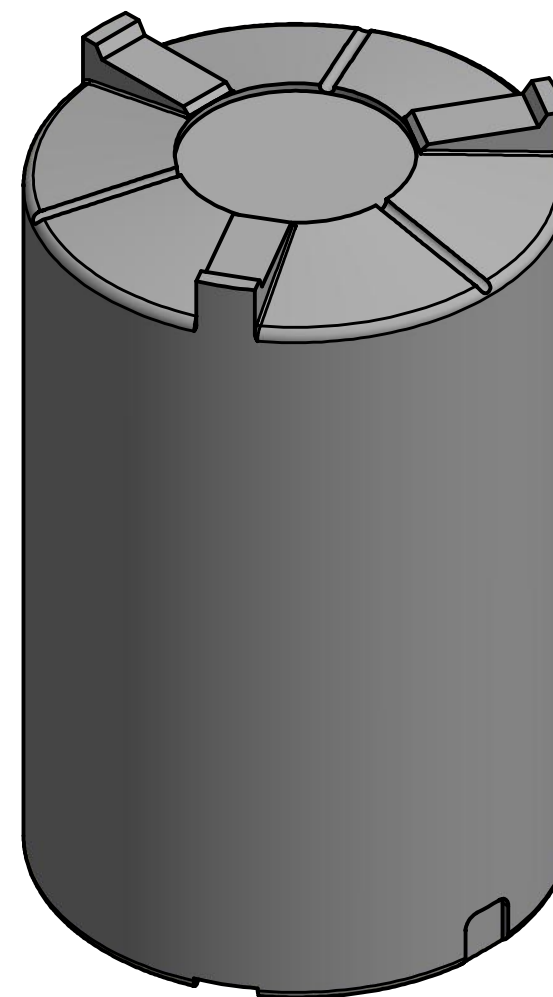
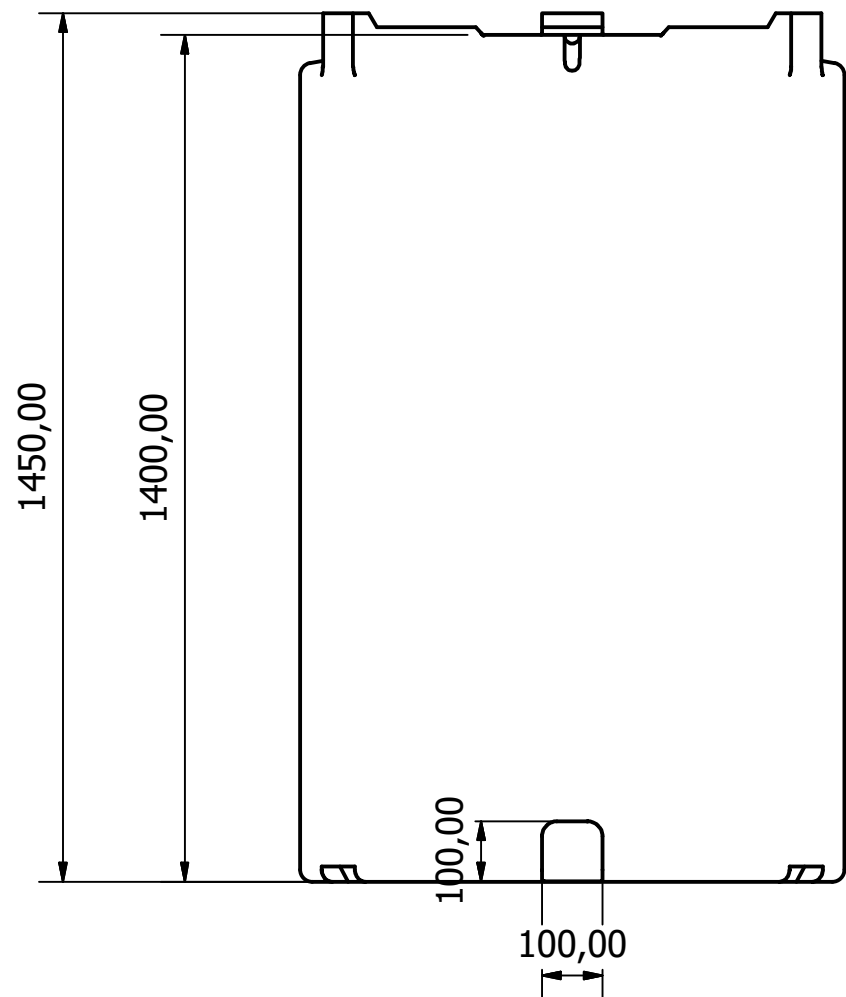


DO NOT SCALE UNLESS STATED - IF IN DOUBT ASK

Material	MDPE
Qty Req'd	



<b>WYDALE PLASTICS LTD</b> Cathole Bridge Rd, Crewkerne, Somerset, TA18 8RF Tel: 01460 73212 Fax: 01460 77348  THIS DRAWING AND THE INFORMATION THEREON IS THE SOLE PROPERTY OF WYDALE PLASTICS LTD AND SHALL NOT BE COPIED OR REPRODUCED WITHOUT THE CONSENT OF WYDALE PLASTICS LTD.  DIMENSIONS ARE ALL IN MM UNLESS OTHERWISE STATED. ALL TOLERANCES +/- 1MM UNLESS STATED.	CUSTOMER: Wydale Plastics Ltd	
	PROJECT: 825 Litre Tank	
DRAWN DATE: 07/12/2012	DESIGNED BY: ianv	CHECKED BY:
SHEET 1 OF 1	REV A	DRAWING NO: