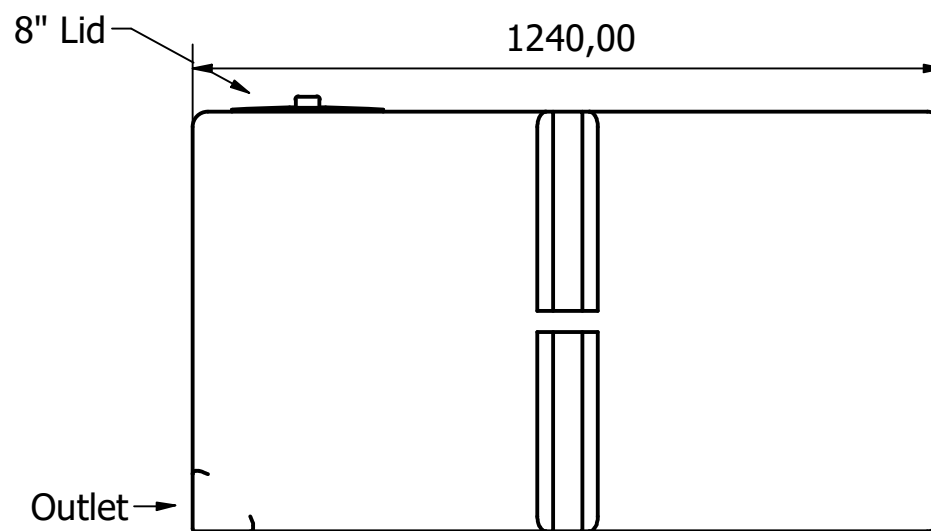
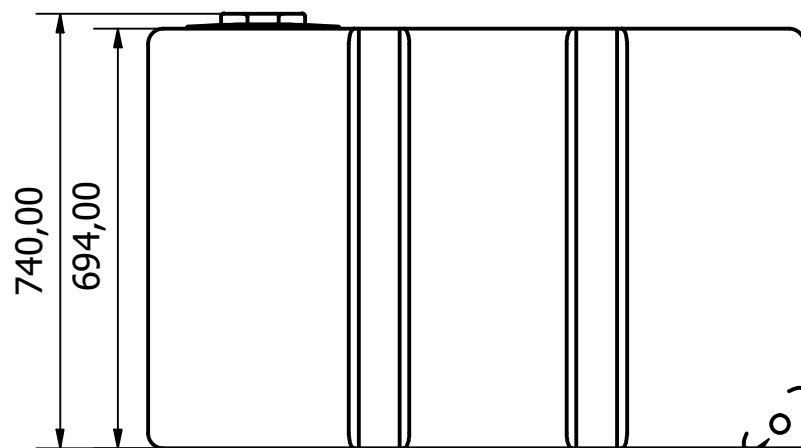
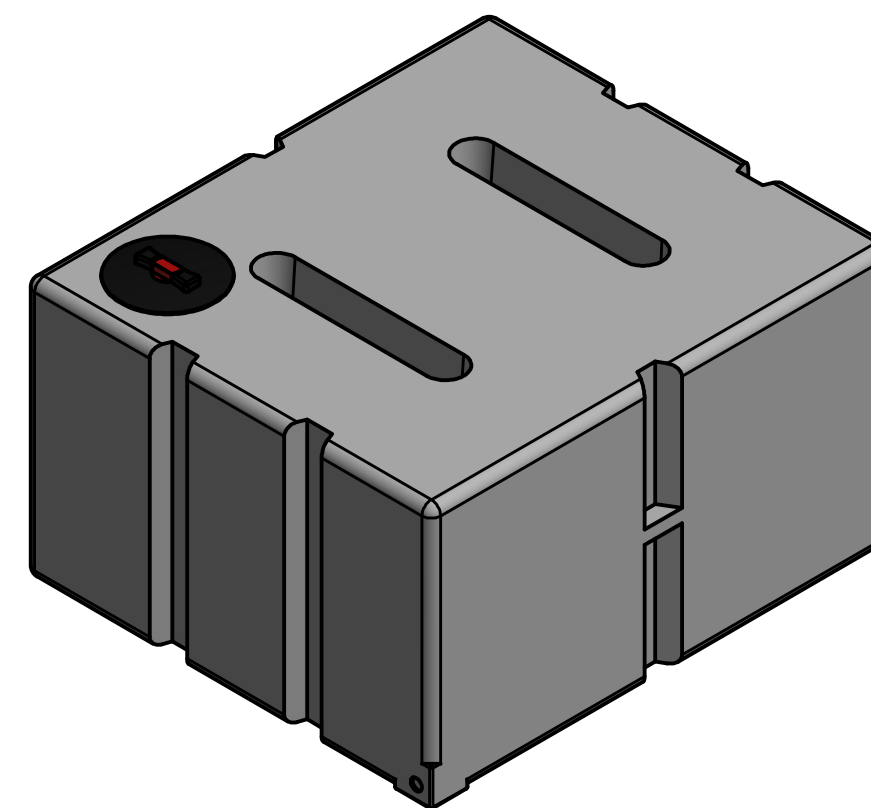
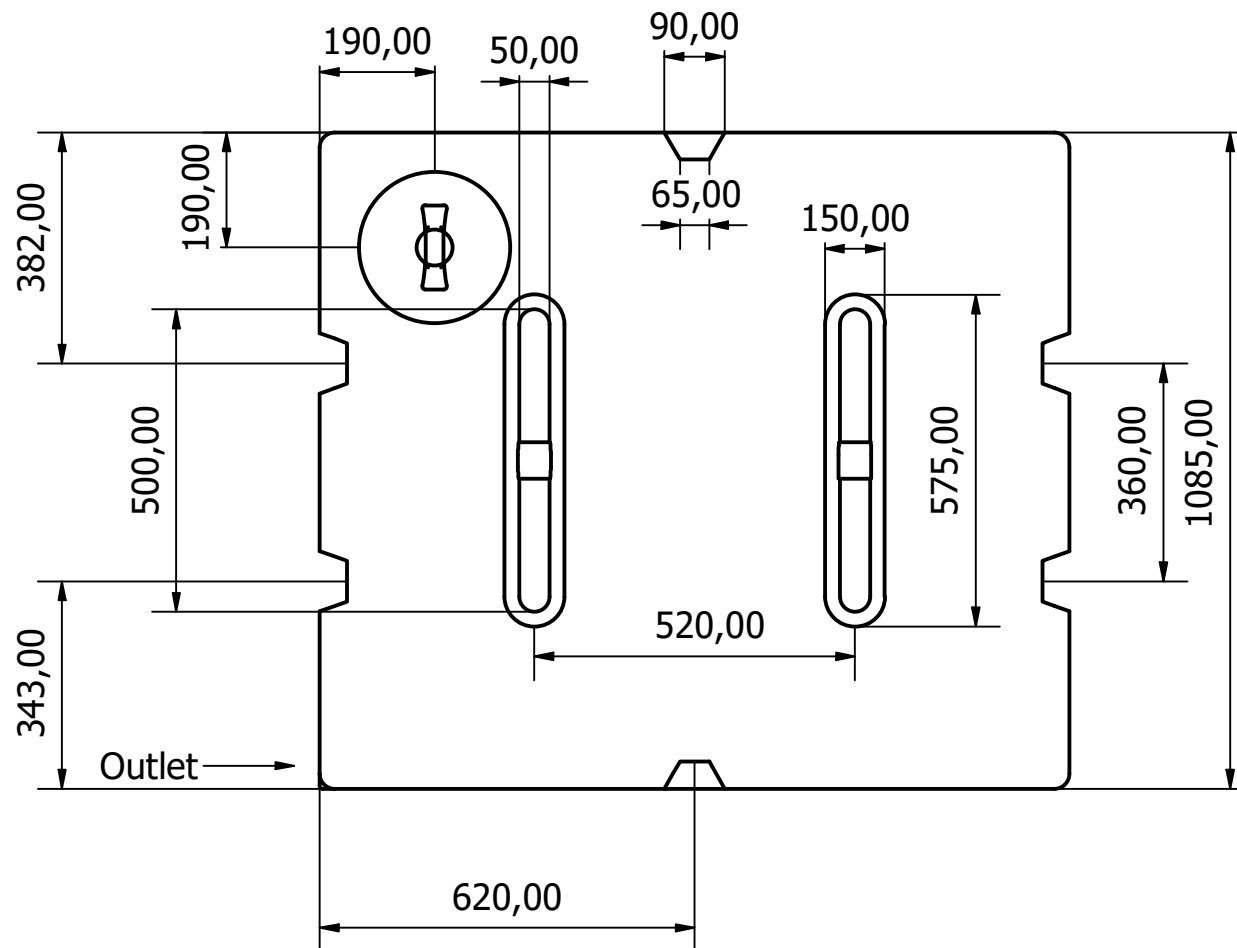


DO NOT SCALE UNLESS STATED - IF IN DOUBT ASK

Material	
Qty Req'd	



1" BSP Outlet

wydale
 Wydale Plastics Ltd
 Cathole Bridge Rd,
 Crewkerne,
 Somerset,
 TA18 8RF
 Tel: 01460 73212
 Fax: 01460 77348

CUSTOMER: Wydale Plastics Ltd

PROJECT: 800 Flat Tank

DRAWN DATE:
31/07/2018

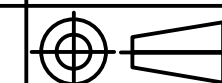
DESIGNED BY:
joshv

CHECKED BY:

SHEET 1 OF 1

REV
A

DRAWING NO:



REV	ZONE	DESCRIPTION	DATE

THIS DRAWING AND THE INFORMATION THEREON IS THE SOLE PROPERTY OF WYDALE PLASTICS LTD AND SHALL NOT BE COPIED OR REPRODUCED WITHOUT THE CONSENT OF WYDALE PLASTICS LTD. DIMENSIONS ARE ALL IN MM UNLESS OTHERWISE STATED. ALL TOLERANCES +/- 1MM UNLESS STATED.