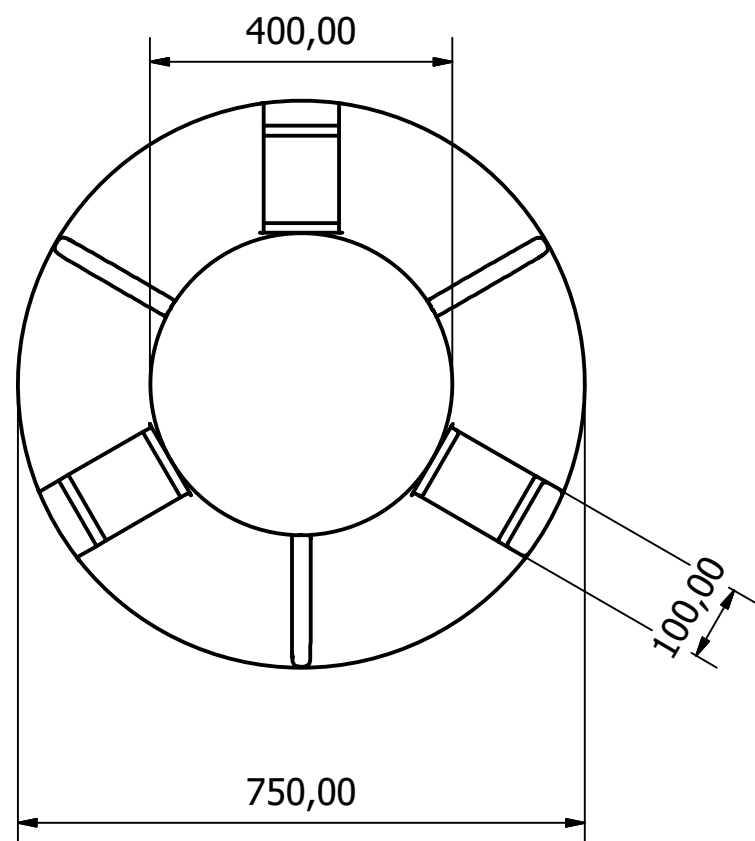
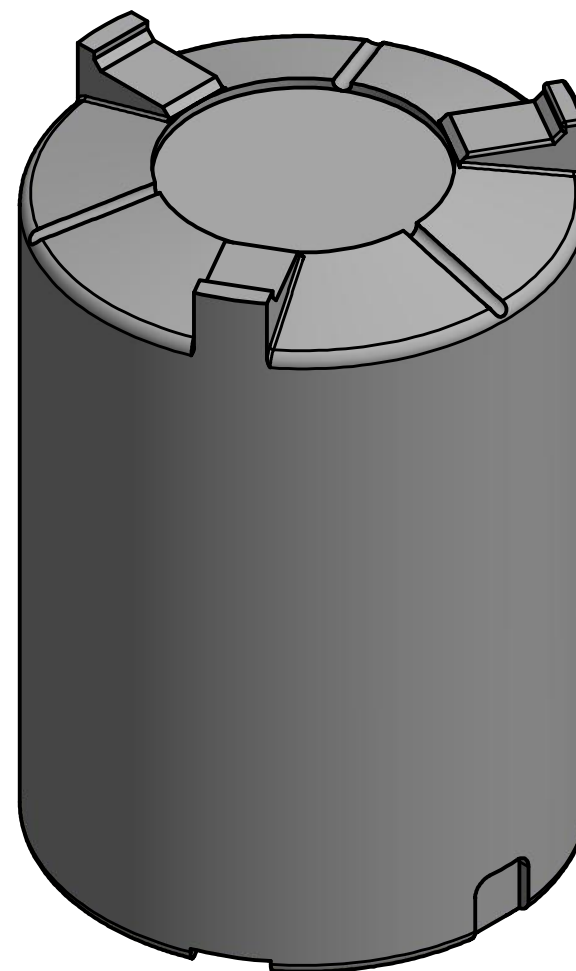
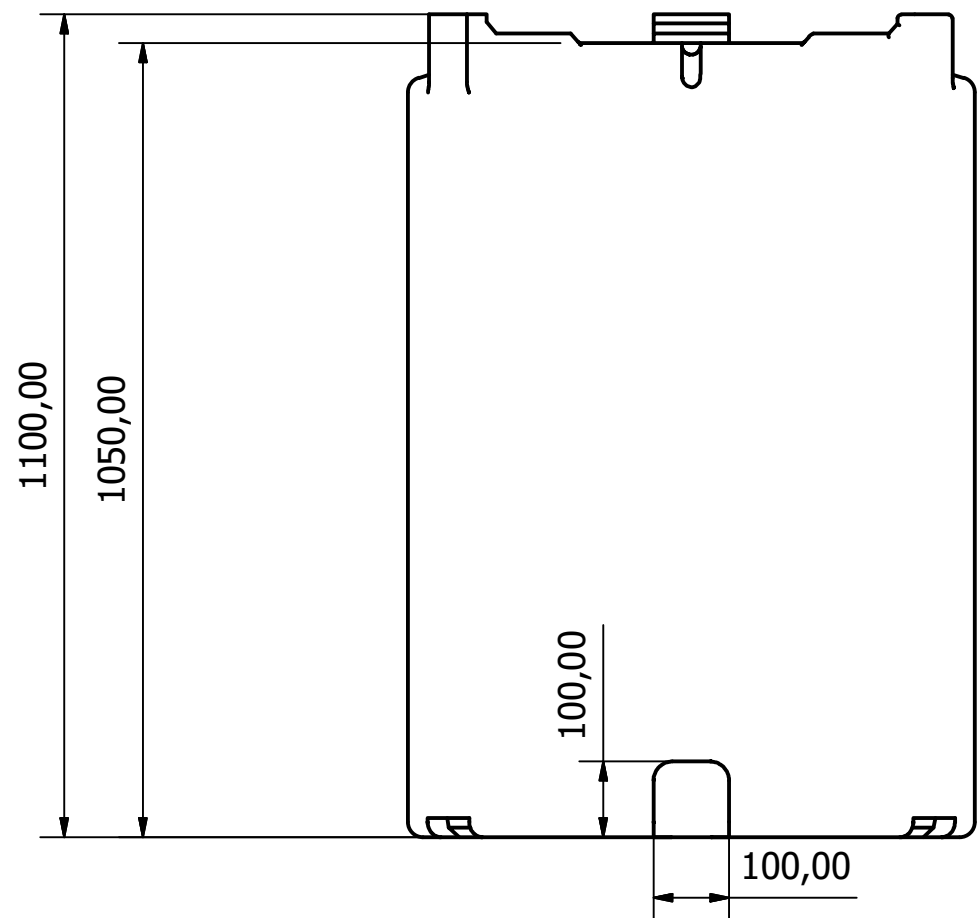


DO NOT SCALE UNLESS STATED - IF IN DOUBT ASK

Material	MDPE
Qty Req'd	



WYDALE PLASTICS LTD

Cathole Bridge Rd, Crewkerne, Somerset, TA18 8RF
Tel: 01460 73212 Fax: 01460 77348



THIS DRAWING AND THE INFORMATION THEREON IS THE SOLE PROPERTY OF WYDALE PLASTICS LTD AND SHALL NOT BE COPIED OR REPRODUCED WITHOUT THE CONSENT OF WYDALE PLASTICS LTD.

DIMENSIONS ARE ALL IN MM UNLESS OTHERWISE STATED.
ALL TOLERANCES +/- 1MM UNLESS STATED.

CUSTOMER: Wydale Plastics

PROJECT: 425 Litre Tank

DRAWN DATE: 11/03/2013
DESIGNED BY: ianv
CHECKED BY:

SHEET 1 OF 1
REV A
DRAWING NO:



REV	ZONE	DESCRIPTION	DATE