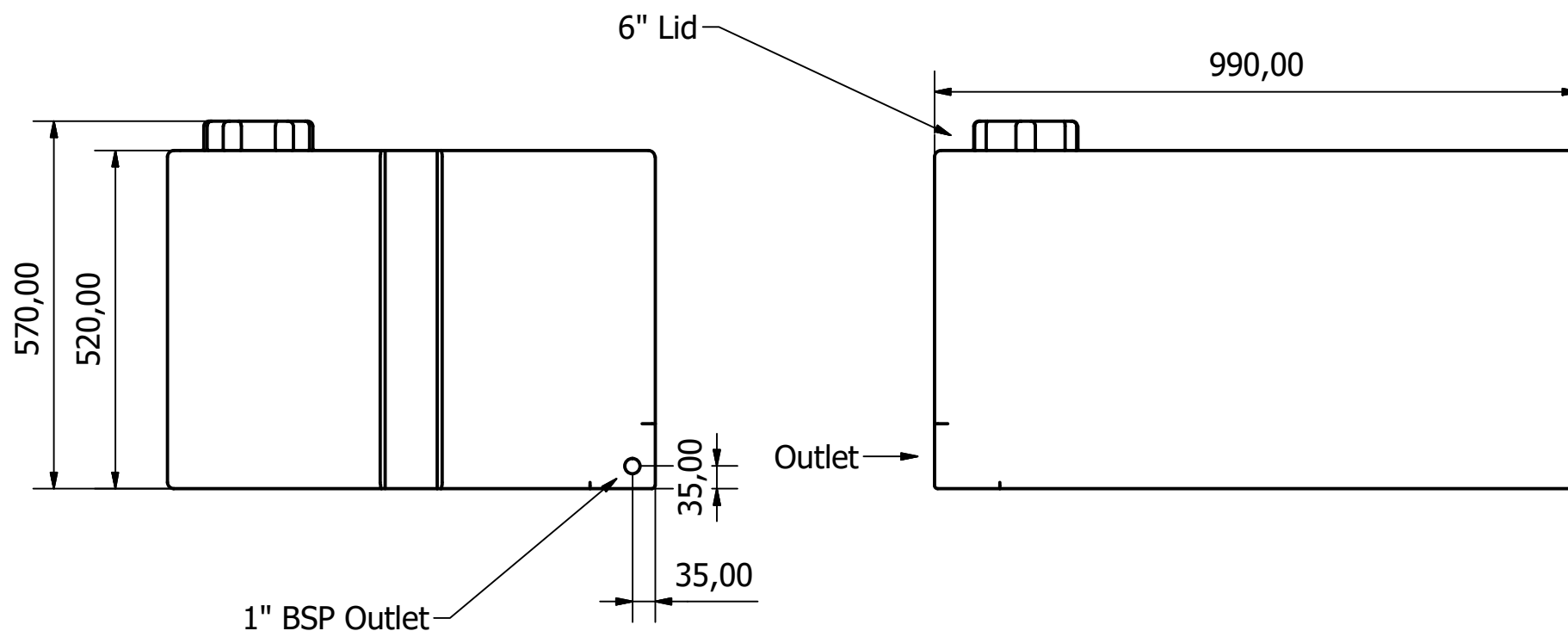
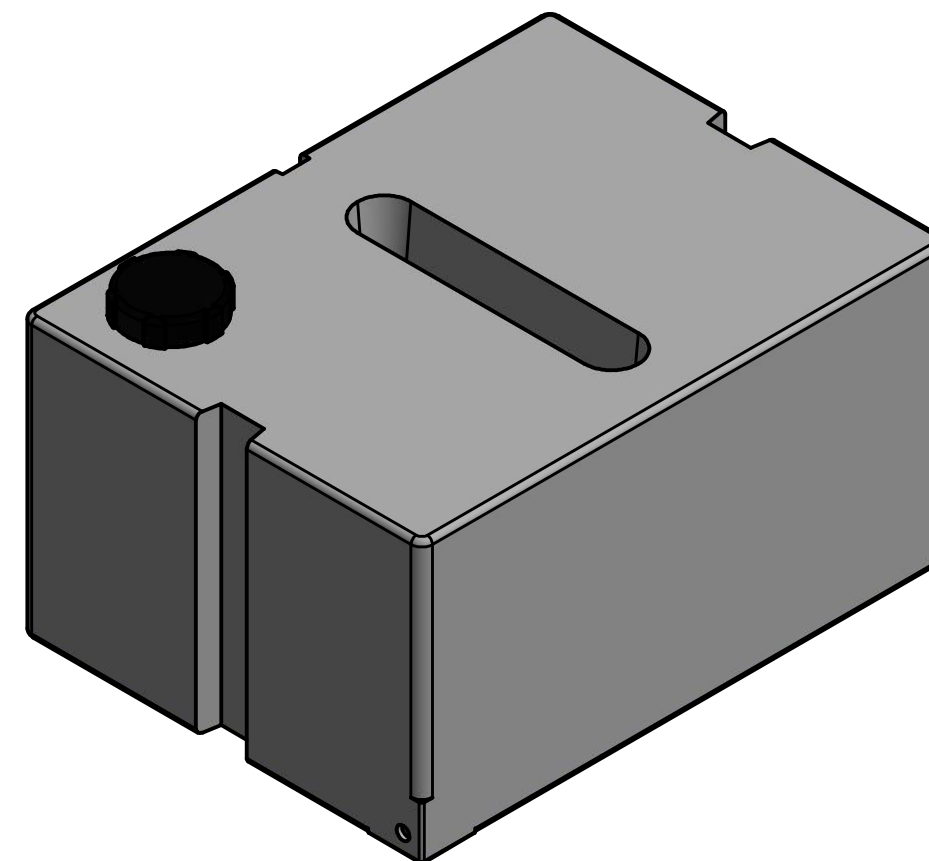
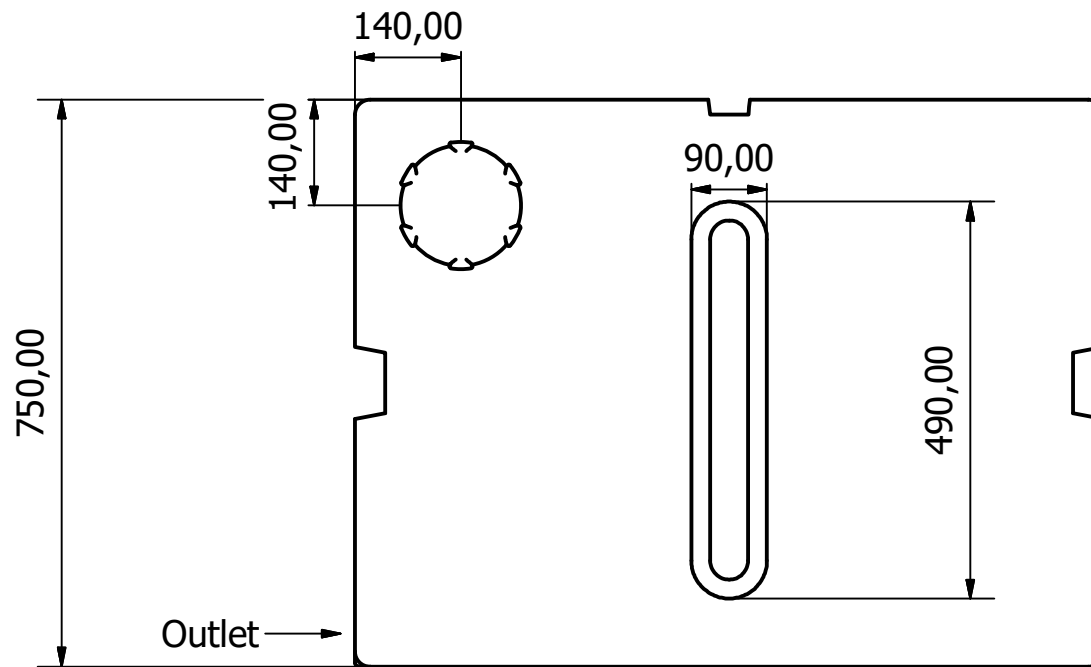


DO NOT SCALE UNLESS STATED - IF IN DOUBT ASK

| | |
|-----------|--|
| Material | |
| Qty Req'd | |



| REV | ZONE | DESCRIPTION | DATE |
|-----|------|-------------|------|
| | | | |

wydale
 Wydale Plastics Ltd
 Cathole Bridge Rd,
 Crewkerne,
 Somerset,
 TA18 8RF
 Tel: 01460 73212
 Fax: 01460 77348

THIS DRAWING AND THE INFORMATION THEREON IS THE SOLE PROPERTY OF WYDALE PLASTICS LTD AND SHALL NOT BE COPIED OR REPRODUCED WITHOUT THE CONSENT OF WYDALE PLASTICS LTD. DIMENSIONS ARE ALL IN MM UNLESS OTHERWISE STATED. ALL TOLERANCES +/- 1MM UNLESS STATED.

| | |
|-------------------------------|--------------------|
| CUSTOMER: Wydale Plastics Ltd | |
| PROJECT: 350 Flat Tank | |
| DRAWN DATE: 01/08/2018 | DESIGNED BY: joshv |
| CHECKED BY: | |
| SHEET 1 OF 1 | REV A |
| DRAWING NO: | |

