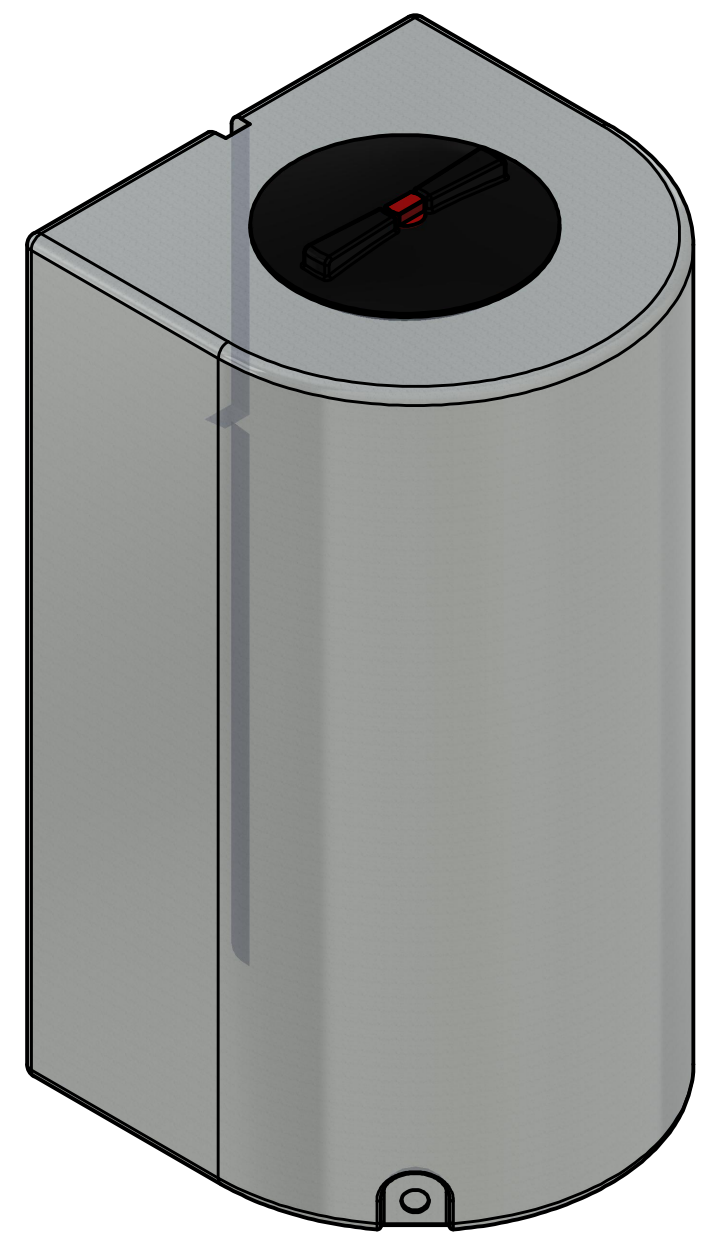
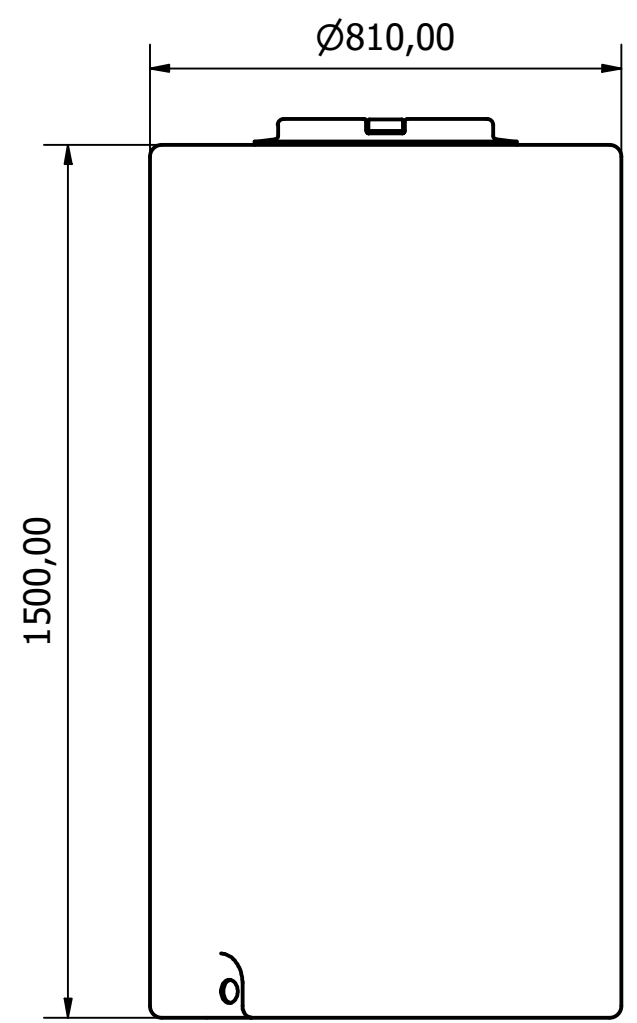
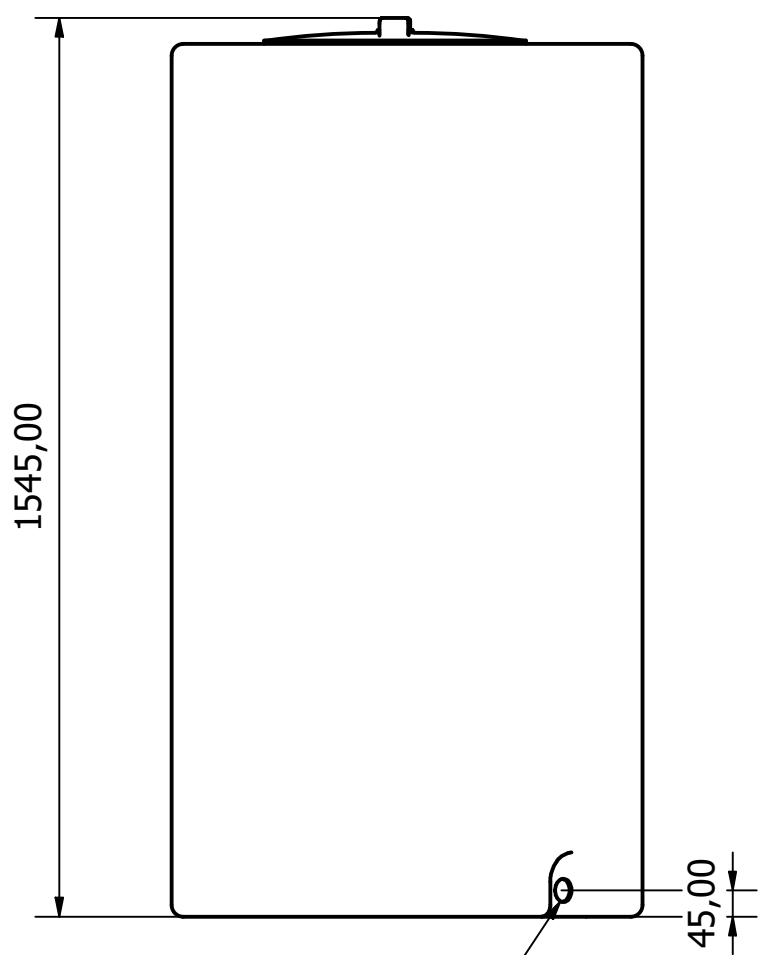
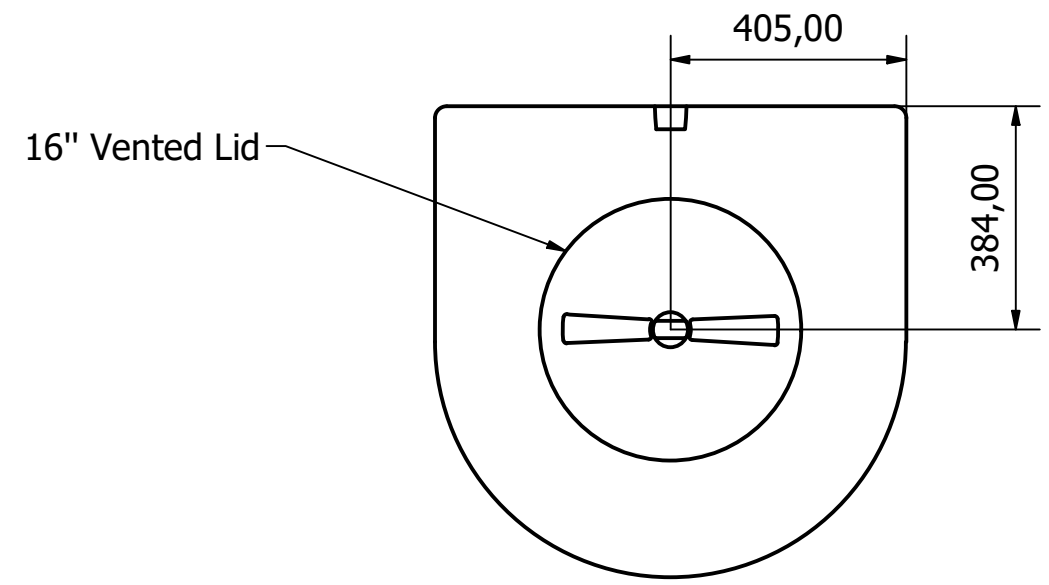


MATERIALS	Polyethylene
NOMINAL WEIGHT (kg)	35.4
TYPICAL WALL THICKNESS (mm)	6.8



1" BSP x 28mm
Insert



Wydale Plastics Ltd
Cathole Bridge Rd,
Crewkerne,
Somerset,
TA18 8RF
Tel: 01460 73212
wydaleplastics.co.uk

THIS DRAWING AND THE INFORMATION THEREIN IS THE SOLE PROPERTY OF WYDALE PLASTICS LTD AND SHALL NOT BE COPIED OR REPRODUCED WITHOUT THE CONSENT OF WYDALE PLASTICS LTD. DIMENSIONS ARE ALL IN MM UNLESS OTHERWISE STATED. WHILST EVERY EFFORT IS MADE TO ENSURE ACCURACY, ALL LINEAR DIMENSIONS QUOTED ARE SUBJECT TO A +/- 3% VARIATION DUE TO THE MANUFACTURING PROCESS. PLEASE CALL FOR MORE INFORMATION IF REQUIRED.

WYDALE PLASTICS Ltd

PROJECT: 900 Litre Upright

DRAWN DATE:
14/03/2024

DESIGNED BY:
SAMM

CHECKED BY:

SHEET 1 OF 1

REV
A

DRAWING NO:

