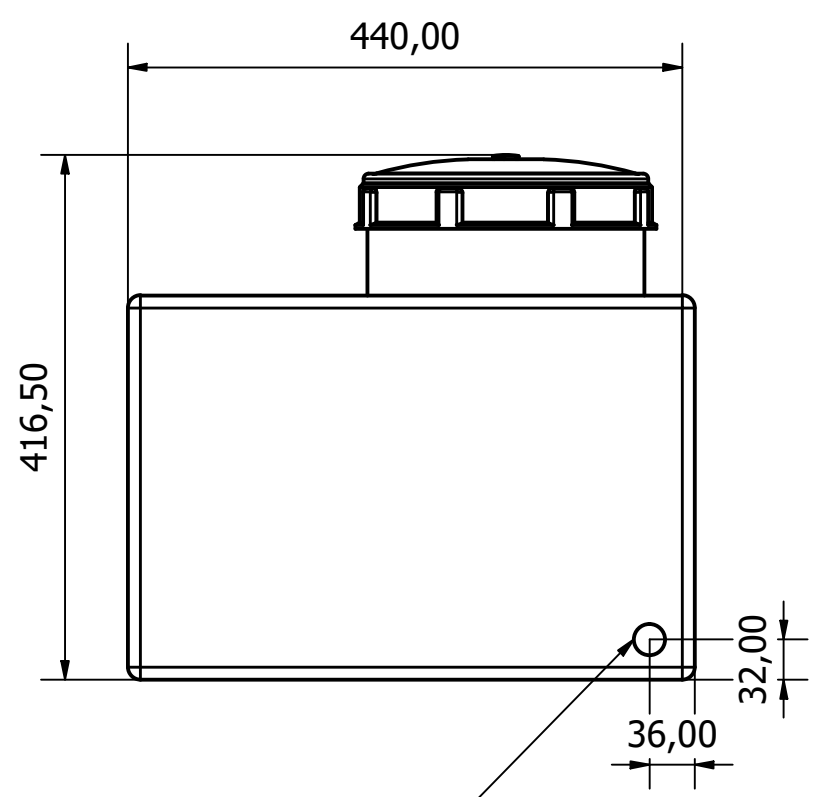
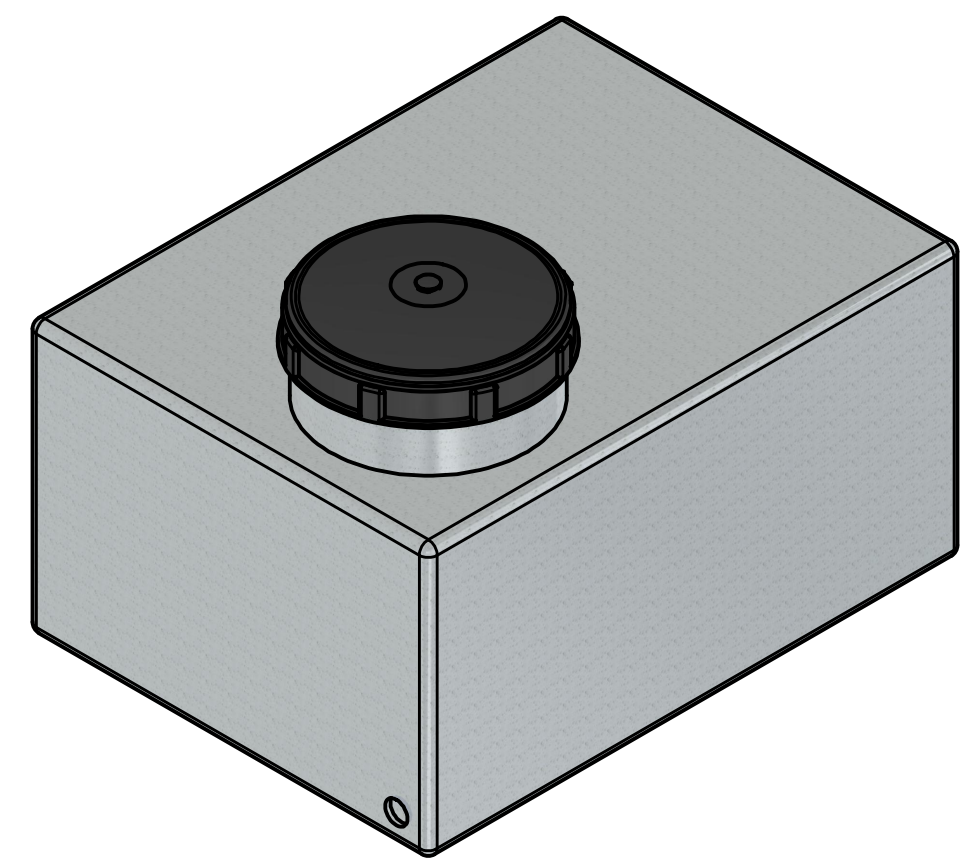
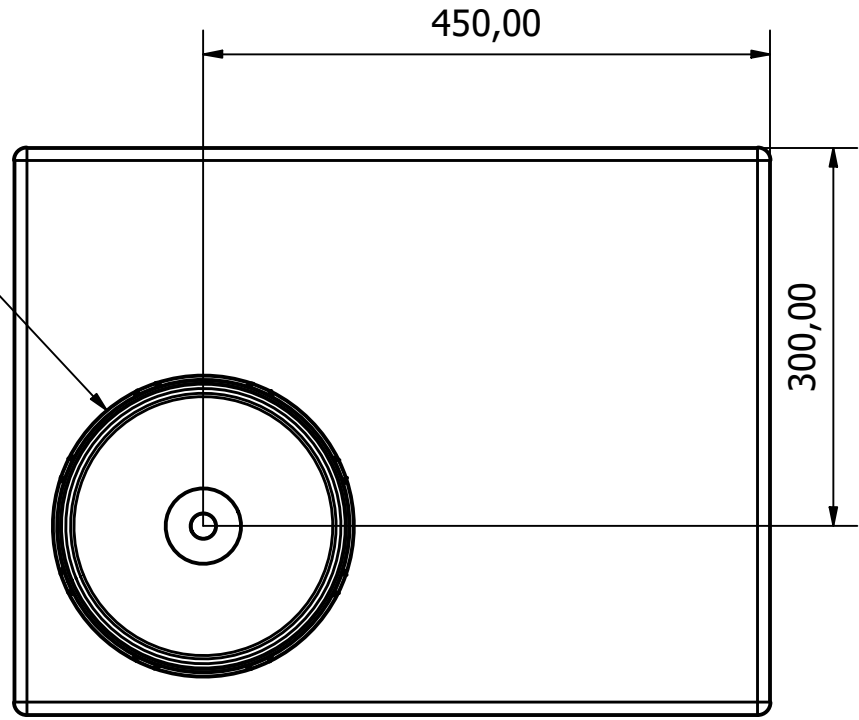
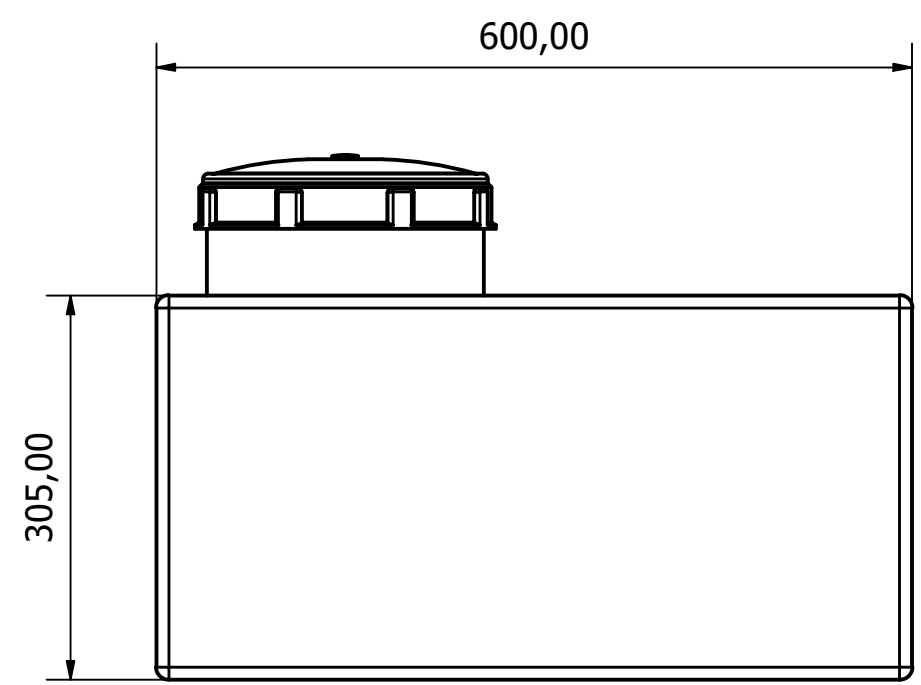


MATERIALS	Polyethylene
NOMINAL WEIGHT (kg)	7kg
TYPICAL WALL THICKNESS (mm)	6mm

8" External Lid



3/4" BSP x 28mm  
Insert



**wydale**  
rotational moulding

**Wydale Plastics Ltd**  
Cathole Bridge Rd,  
Crewkerne,  
Somerset,  
TA18 8RF  
Tel: 01460 73212  
wydaleplastics.co.uk

THIS DRAWING AND THE INFORMATION THEREIN IS THE SOLE PROPERTY OF WYDALE PLASTICS LTD AND SHALL NOT BE COPIED OR REPRODUCED WITHOUT THE CONSENT OF WYDALE PLASTICS LTD. DIMENSIONS ARE ALL IN MM UNLESS OTHERWISE STATED. WHILST EVERY EFFORT IS MADE TO ENSURE ACCURACY, ALL LINEAR DIMENSIONS QUOTED ARE SUBJECT TO A +/- 3% VARIATION DUE TO THE MANUFACTURING PROCESS. PLEASE CALL FOR MORE INFORMATION IF REQUIRED.

WYDALE PLASTICS Ltd			
PROJECT:		80 Litre Flat Tank	
DRAWN DATE:	DESIGNED BY:	CHECKED BY:	
01/03/2024	SAMM		
SHEET 1 OF 1	REV A	DRAWING NO:	